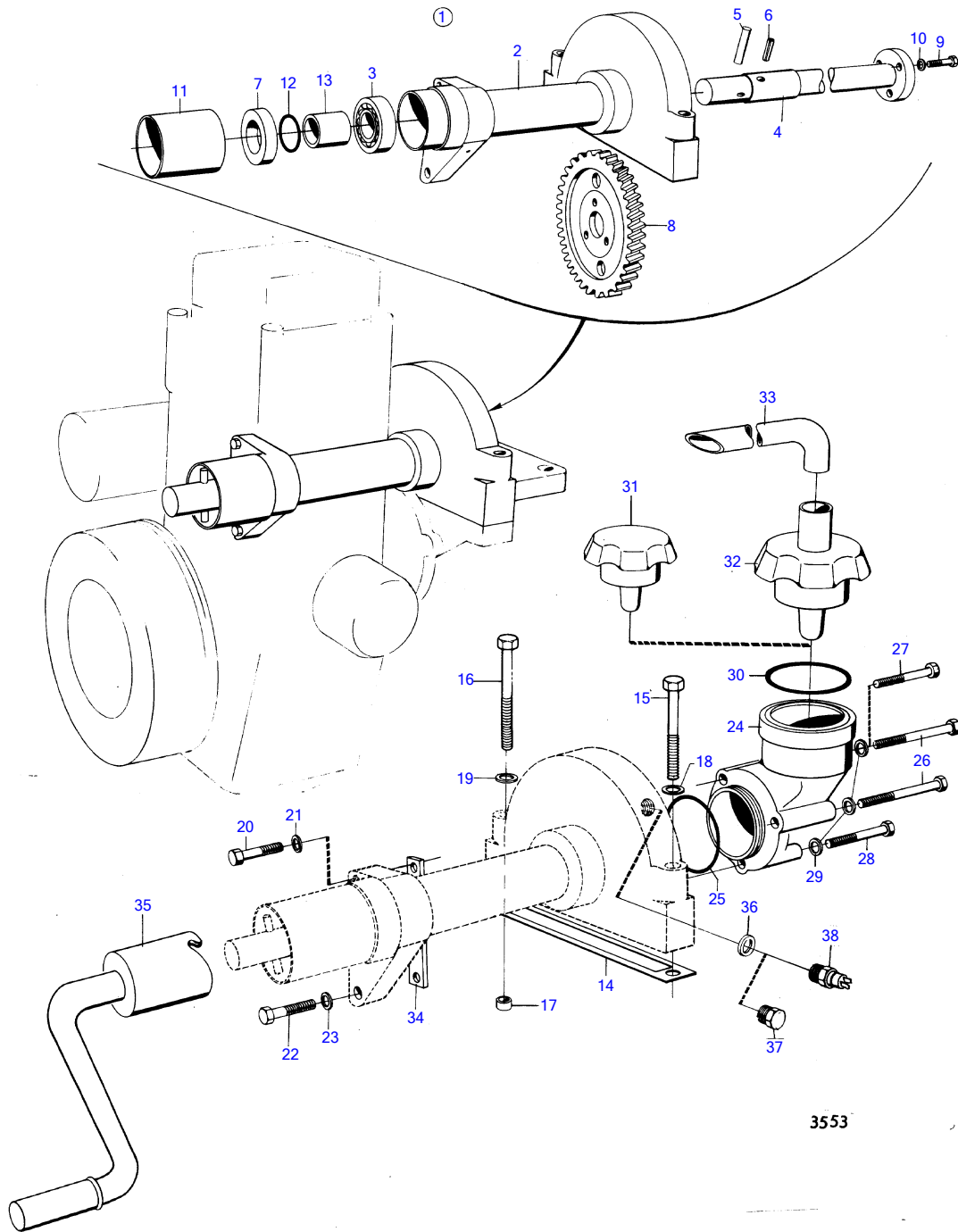


AQD2B



## AQD2B

REF	PART NO.	QTY	DESCRIPTION	NOTES
1	833340	1	Hand start	Obsolete part
2		1	• housing	
3	18559	2	• Ball bearing	
4	897165	1	• Shaft	Obsolete part
5	952007	1	• Spring pin	Obsolete part
6	951968	1	• Spring pin	
7	803371	1	• Sealing ring	Replaced by 3886600
	3886600	1	Sealing ring	
8	840370	1	• Gear	(803344), Obsolete part
9	942001	3	• Hex. socket screw	
10	941906	3	• Spring washer	
11	803346	1	• Sleeve	Obsolete part
12	190252	1	• O-ring	
13	803347	1	• Spacer sleeve	Obsolete part
14	859141	X	Gasket	
15	955305	2	Hexagon screw	L=75mm
18	941907	1	Spring washer	
19	11992	1	Gasket	
20	959239	1	Hex. socket screw	
21	941908	1	Spring washer	
22	959222	1	Hex. socket screw	
23	11992	1	Gasket	
24	833337	1	Tube	Obsolete part
25	944441	1	O-ring	
26	955252	2	Hexagon screw	Early type, L=45mm
	955252	1	Hexagon screw	Late type
27	969409	1	6 point socket screw	Late type, L=25mm
28	969409	1	6 point socket screw	
29	18806	3	Gasket	
30	1275379	1	Gasket	
31	403515	1	Breather cap	Obsolete part, MD1B MO-18560. MD2B MO-12431.
32	418954	1	Vent cover	MD1B MO 18561-. MD2B MO 12432-.
33	833468	1	Rubber hose	Obsolete part
35	803920	1	Starter crank	
36	957181	1	Gasket	
37	833521	1	Plug	Obsolete part
38		1	rev. counter sender	See group 3