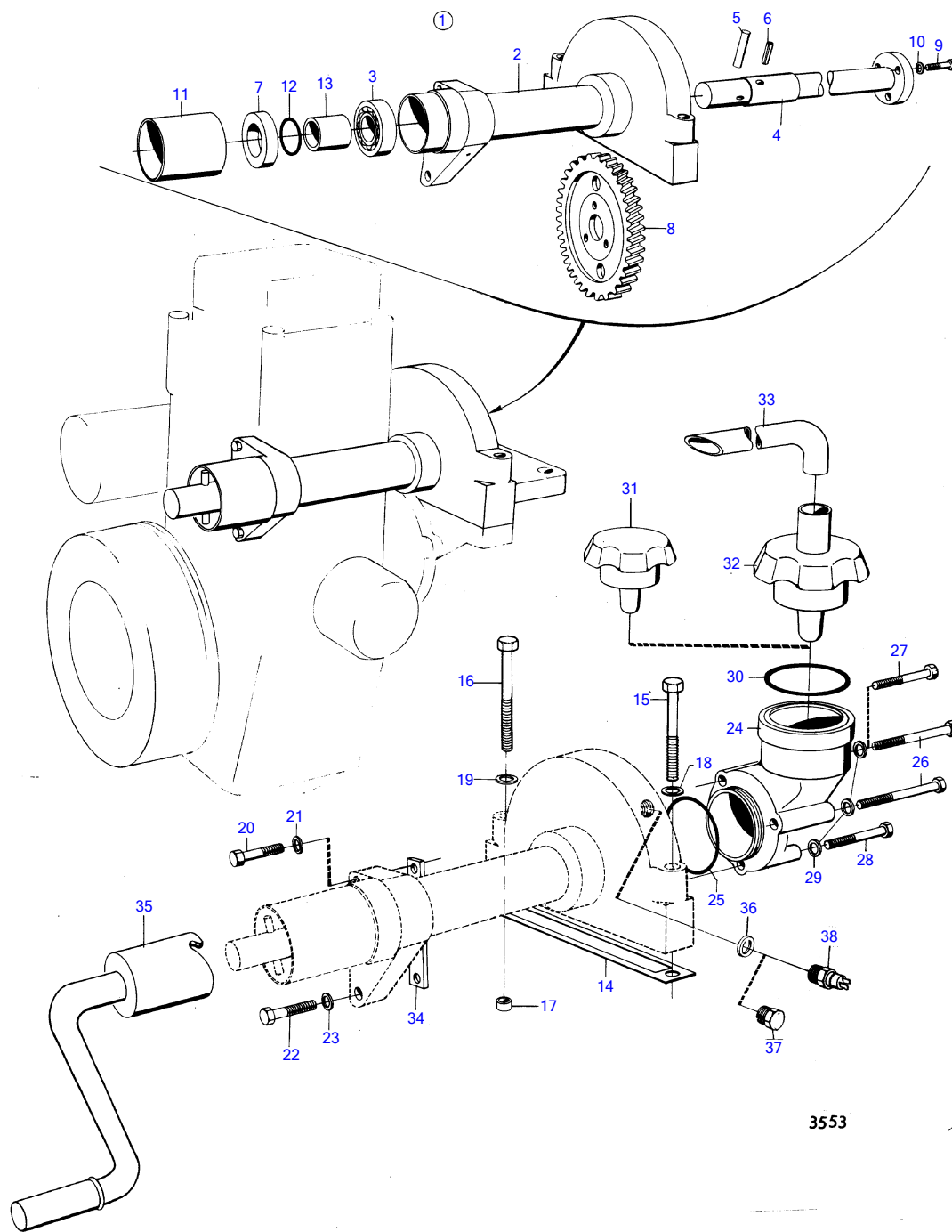


MD1B



3553

MD1B

REF	PART NO.	QTY	DESCRIPTION	NOTES
1	(833339)	1	Hand start	Obsolete part
2		1	• housing	
3	18559	2	• Ball bearing	
4	(807003)	1	• Shaft	Obsolete part
5	(952007)	1	• Spring pin	Obsolete part
6	951968	1	• Spring pin	
7	803371	1	• Sealing ring	Replaced by 3886600
	3886600	1	Sealing ring	
8	(840370)	1	• Gear	(803344), Obsolete part
9	942001	3	• Hex. socket screw	
10	941906	3	• Spring washer	
11	(803346)	1	• Sleeve	Obsolete part
12	190252	1	• O-ring	
13	(803347)	1	• Spacer sleeve	Obsolete part
14	859141	X	Gasket	
15	965181	2	Flange screw	L=70mm
	965181	1	Flange screw	Late type MD1B spec 867140, 867141.
16	(946407)	1	Screw	Obsolete part, Late type MD1B spec 867140, 867141.
17	(945637)	1	Plug	Obsolete part, Late type MD1B spec 867140, 867141., Late type MD2B spec 867143. 867144.
18	941907	1	Spring washer	
19	11992	1	Gasket	
20	959240	1	Hex. socket screw	
21	941908	1	Spring washer	
22	959223	1	Hex. socket screw	
23	11992	1	Gasket	
24	(833337)	1	Tube	Obsolete part
25	944441	1	O-ring	
26	955252	2	Hexagon screw	Early type, L=45mm
	955252	1	Hexagon screw	Late type
27	969409	1	6 point socket screw	Late type, L=25mm
28	969409	1	6 point socket screw	
29	18806	3	Gasket	
30	1275379	1	Gasket	
31	(403515)	1	Breather cap	Obsolete part, MD1B MO-18560. MD2B MO-12431.
32	418954	1	Vent cover	MD1B MO 18561-. MD2B MO 12432-.
33	(833468)	1	Rubber hose	Obsolete part
34	(807133)	1	Spacer	Obsolete part
35	803920	1	Starter crank	