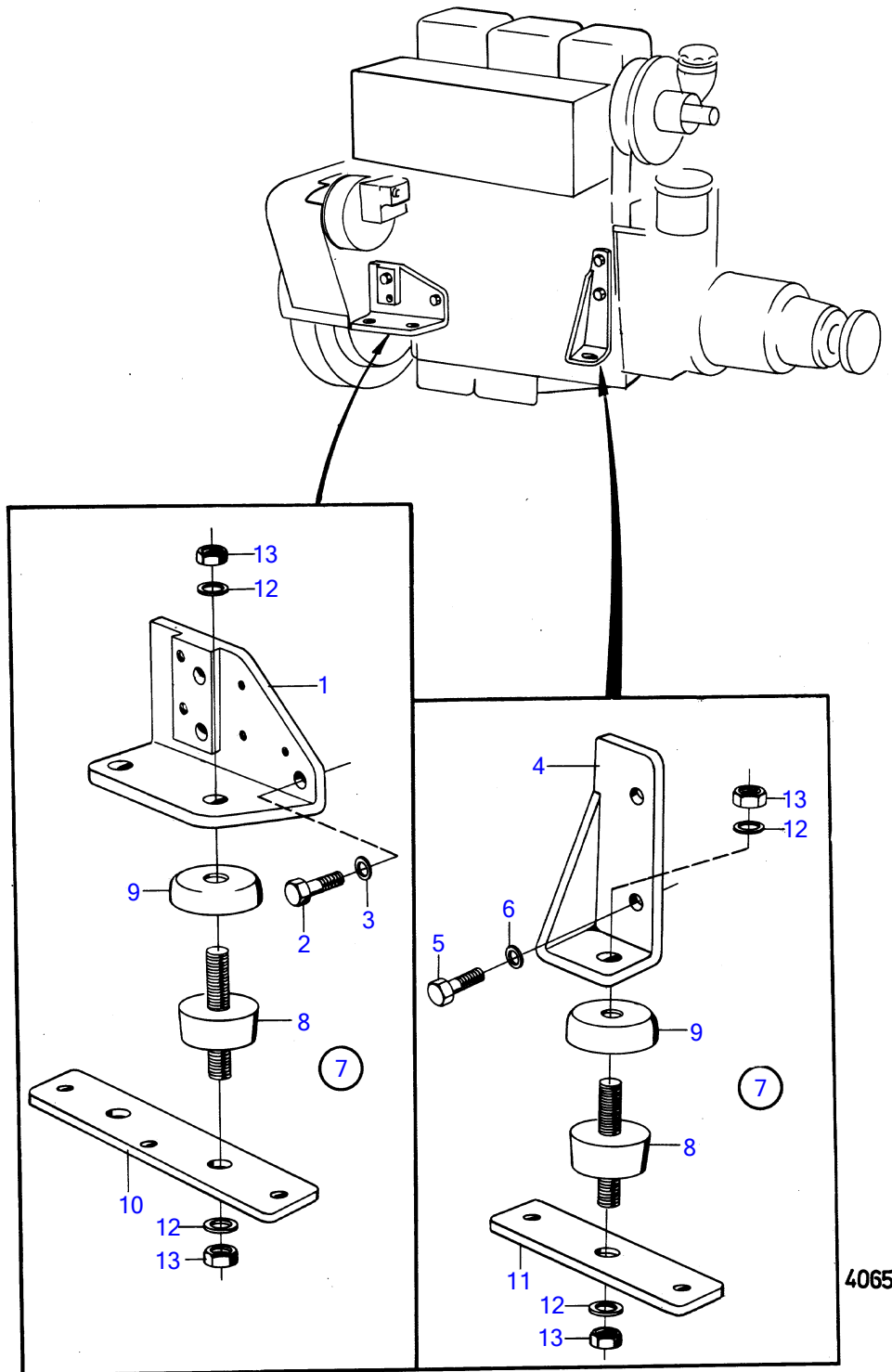


MD3B



MD3B

REF	PART NO.	QTY	DESCRIPTION	NOTES
1	(833097)	1	Engine bracket	Obsolete part
		1	bracket	Replaced by 1ea 833500 + 1ea 955319 + 1ea 955322., P, MO-633
	(833500)	1	Bracket	Obsolete part, P, MO 634-
2	955318	4	Hexagon screw	L=30mm
	959240	2	Hex. socket screw	L=35mm
3	941908	6	Spring washer	
4	(833215)	1	Engine bracket	Obsolete part, S.B
	(833214)	1	Engine bracket	Obsolete part, P
5	955317	4	Hexagon screw	
6	941908	4	Spring washer	
7		1	rubber mount	Soft rubber blocks., Installation of flexible suspension is not allowed on engine with reduction reverse gear, ratio 3,42:1.
8	833625	6	• Rubber cushion	Hard rubber blocks., Not included in 833477.
	833720	6	• Rubber cushion	Soft rubber blocks.
9	807228	6	• Sleeve	
10	(833475)	2	• Bracket	Obsolete part
11	(833476)	2	• Bracket	Obsolete part
12	940280	12	• Spring washer	
13	955850	12	• Hexagon nut	