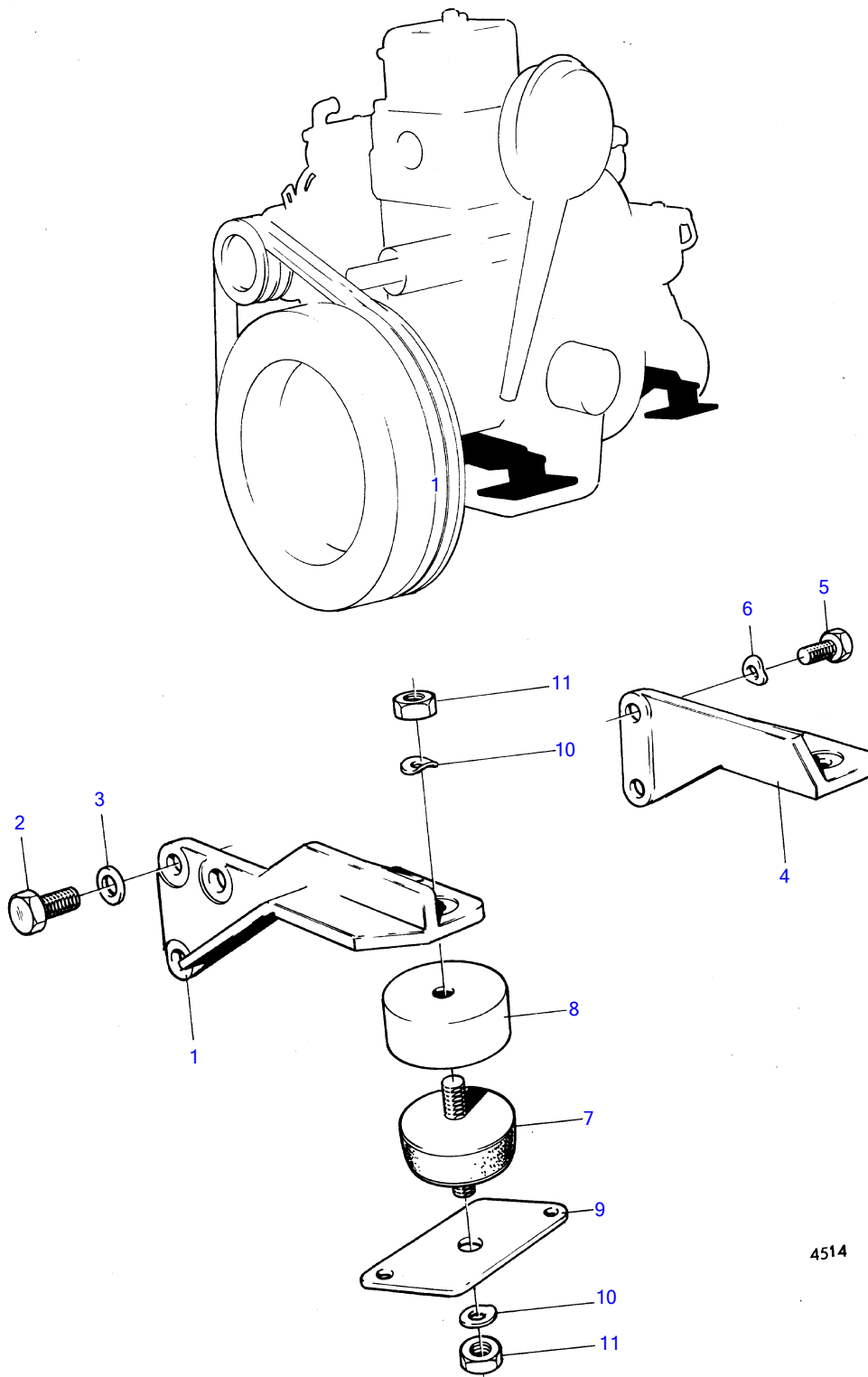


MD1B



MD1B

| REF | PART NO. | QTY | DESCRIPTION     | NOTES  |
|-----|----------|-----|-----------------|--|
| 1   | (833246) | 1   | Engine bracket  | Narrow brackets. spec 867001, 867002, 867091., Obsolete part   |
|     | (833575) | 1   | Engine bracket  | Wide brackets. spec 867140, 867141, 867142, 867229., Obsolete part, S.B                              |
|     | (833247) | 1   | Engine bracket  | Obsolete part, Narrow brackets. spec 867001, 867002, 867091., P                                      |
|     | (833576) | 1   | Engine bracket  | Obsolete part, Wide brackets. spec 867140, 867141, 867142, 867229., P                                |
| 2   | 955322   | 4   | Hexagon screw   | L=50mm   |
|     | 955320   | 2   | Hexagon screw   | L=40mm   |
| 3   | 946075   | 6   | Washer          |  |
| 4   | (803428) | 1   | Bracket         | Obsolete part, Narrow brackets. spec 867001, 867002, 867091., S.B                                    |
|     | (833540) | 1   | Engine bracket  | Obsolete part, Wide brackets. spec 867140, 867141, 867142, 867229., Replaced by 833540., (833572) SB |
|     | (897363) | 1   | Bracket         | Obsolete part, Narrow brackets. spec 867001, 867002, 867091., P                                      |
|     | (833541) | 1   | Engine bracket  | Obsolete part, Wide brackets. spec 867140, 867141, 867142, 867229., P                                |
| 5   | 955317   | 2   | Hexagon screw   | L=25mm   |
|     | 955332   | 1   | Hexagon screw   | L=120mm  |
|     | (192357) | 1   | Screw           | Obsolete part, L=115mm   |
| 6   | 941908   | 2   | Spring washer   |  |
|     | 940109   | 2   | Toothed washer  |  |
| 7   | 833720   | 4   | Rubber cushion  | Soft rubber blocks.  |
|     | 833625   | 4   | Rubber cushion  | Hard rubber blocks., Narrow brackets.  |
| 8   | 807228   | 4   | Sleeve          |  |
| 9   | 833571   | 4   | Bracket         | Soft rubber blocks., Hard rubber blocks.   |
|     | 807226   | 4   | Attaching plate | For narrow brackets and hard rubber blocks.  |
| 10  | 940280   | 8   | Spring washer   |  |
| 11  | 955850   | 8   | Hexagon nut     |  |