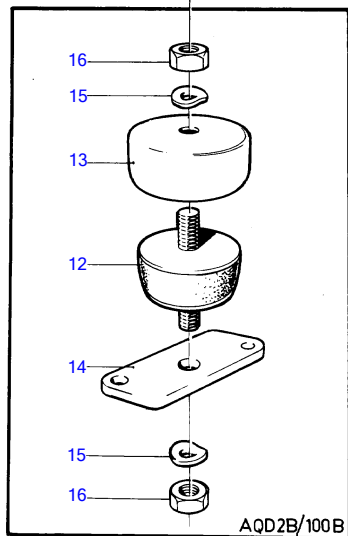
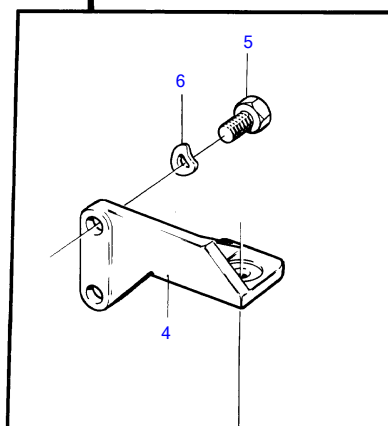
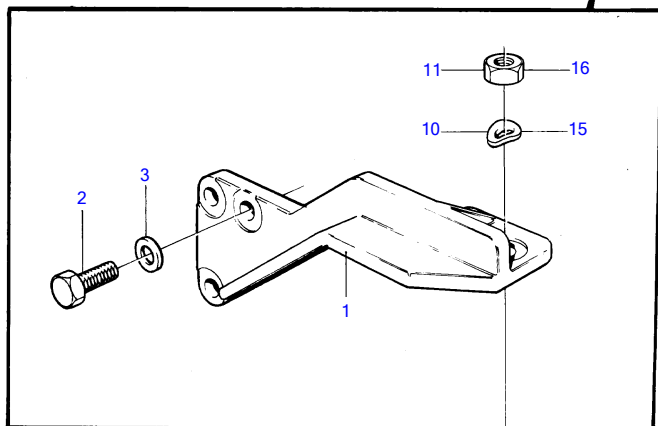
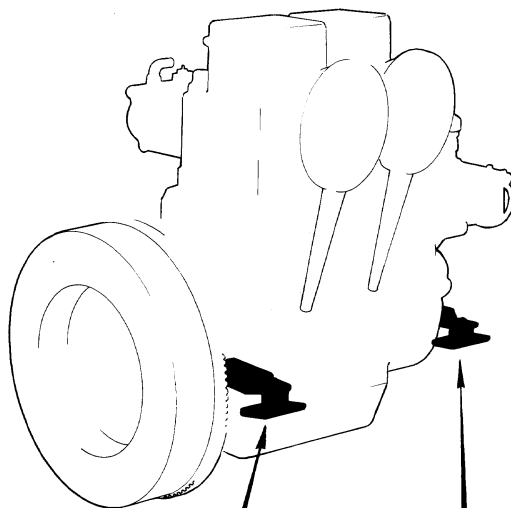
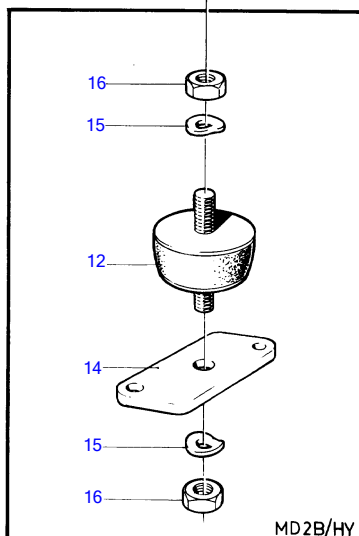


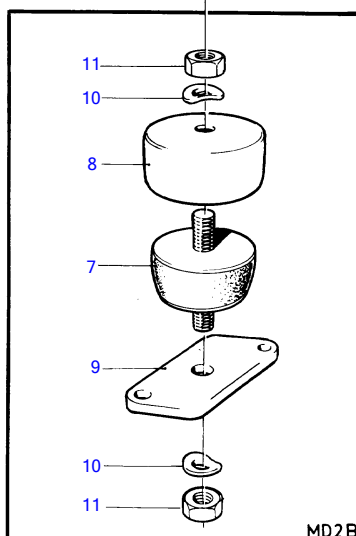
AQD2B



AQD2B/100B



MD2B/HY



MD2B

4515

AQD2B

REF	PART NO.	QTY	DESCRIPTION	NOTES
1	833575	1	Engine bracket	Obsolete part, Wide brackets., MD2B spec 867143, 867144, 867145. MD2B/HY spec 867120, 867151. AQD2B spec 867105, 867152., S.B
	833576	1	Engine bracket	Obsolete part, Wide brackets., Spec 867122, 867230., MD2B spec 867143, 867144, 867145. MD2B/HY spec 867120, 867151. AQD2B spec 867105, 867152., P
2	955322	4	Hexagon screw	L=50mm
	955318	2	Hexagon screw	Narrow brackets., Spec 867007, 867008, 867012, 867094., MD2B spec 867143, 867144, 867145. MD2B/HY spec 867120, 867151. AQD2B spec 867105, 867152., L=30mm
3	946075	6	Washer	
12	833720	2	Rubber cushion	
13	807228	2	Sleeve	
14	833571	2	Bracket	
15	940280	4	Spring washer	
16	955850	4	Hexagon nut	