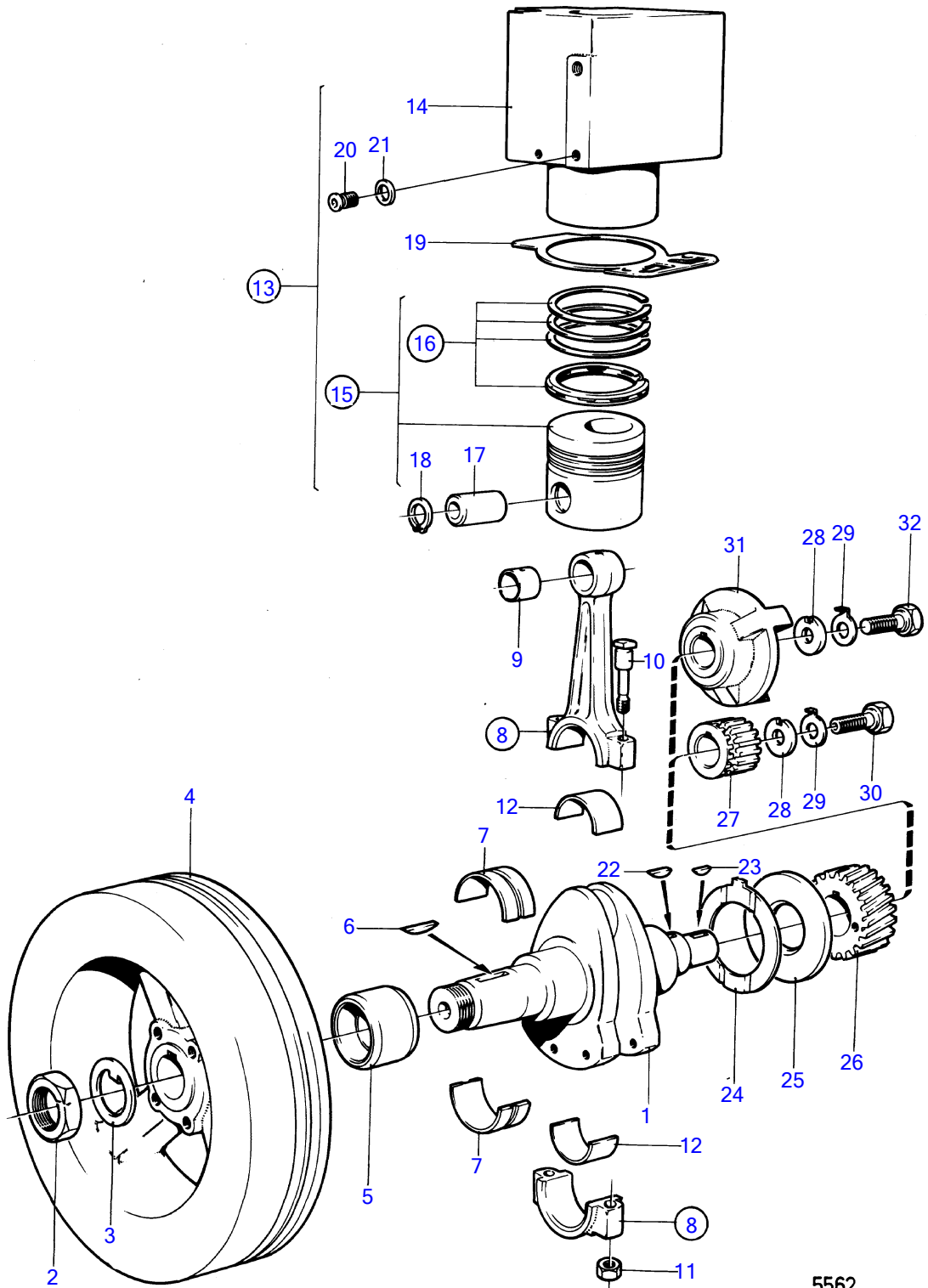


MD1B



MD1B

| REF | PART NO. | QTY | DESCRIPTION | SEE SEC. | NOTES |
|-----|----------|-----|-----------------------|----------|--|
| 1 | (833372) | 1 | Crankshaft | | Obsolete part |
| 2 | 10764 | 1 | Nut | | |
| 3 | 15192 | 1 | Washer | | |
| 4 | (833318) | 1 | Flywheel | | Obsolete part |
| 5 | 803356 | 1 | Sealing ring | | |
| 6 | (910133) | 1 | Woodruff key | | Obsolete part |
| 7 | 875483 | 2 | Main bearing kit | | Std D |
| | 875485 | 2 | Main bearing kit | | 0,25mm u.s |
| | (875486) | 2 | Main bearing kit | | 0,50mm u.s, Obsolete part |
| | (875487) | 2 | Main bearing kit | | 0,75mm u.s, Obsolete part |
| 8 | (807039) | 1 | Connecting rod | | Obsolete part |
| 9 | 803555 | 1 | • Bushing | | |
| 10 | (807040) | 2 | • Connecting rod bolt | | Obsolete part |
| 11 | 463643 | 2 | • Nut | | |
| 12 | 875491 | 1 | Big-end bearing kit | | Std D |
| | 875492 | 1 | Big-end bearing kit | | 0,25mm u.s |
| | 875493 | 1 | Big-end bearing kit | | 0,50mm u.s |
| | (875494) | 1 | Big-end bearing kit | | 0,75mm u.s, Obsolete part |
| 13 | (875513) | 1 | Cylinder block | 13754 | Obsolete part |
| 14 | | 1 | • cylinder | | |
| 15 | 875551 | 1 | • Piston kit | | Std D |
| | 875579 | 1 | • Piston | | 0,75mm o.s |
| 16 | 875498 | 1 | • • Piston ring kit | | Std D |
| | 875499 | 1 | • • Piston ring kit | | 0,75mm o.s |
| 17 | 833185 | 1 | • • Piston pin | | |
| 18 | 914515 | 2 | • • Snap ring | | |
| 19 | 833497 | 1 | • Spacer | | TH=0.2mm |
| | 833498 | 1 | • Spacer | | TH=0.3mm |
| 20 | (807125) | 1 | • Plug | | Obsolete part |
| 21 | 18811 | 1 | • Gasket | | |
| 22 | (910121) | 1 | Woodruff key | | Obsolete part |
| 23 | 910122 | 1 | Woodruff key | | Early type, see group 4A |
| | (910121) | 1 | Woodruff key | | Late type, see group 4A, Obsolete part |
| 24 | 803515 | 2 | Thrust washer | | |
| 25 | (802502) | 1 | Support washer | | Obsolete part |
| 26 | (405025) | 1 | Gear | | Obsolete part |
| 27 | (802588) | 1 | Gear | | For engine with reduction reverse gear., See group 4A, Obsolete part |
| 28 | (803225) | 1 | Washer | | Obsolete part |
| 29 | 803226 | 1 | Lock washer | | |
| 30 | (807041) | 1 | Lock screw | | For engine with reduction reverse gear., See group 4A, Obsolete part |
| 31 | (834336) | 1 | Companion flange | | For engine with monoshift reverse gear., See group 4A, Obsolete part |
| 32 | (959664) | 1 | Hexagon screw | | For engine with monoshift reverse gear., Obsolete part |