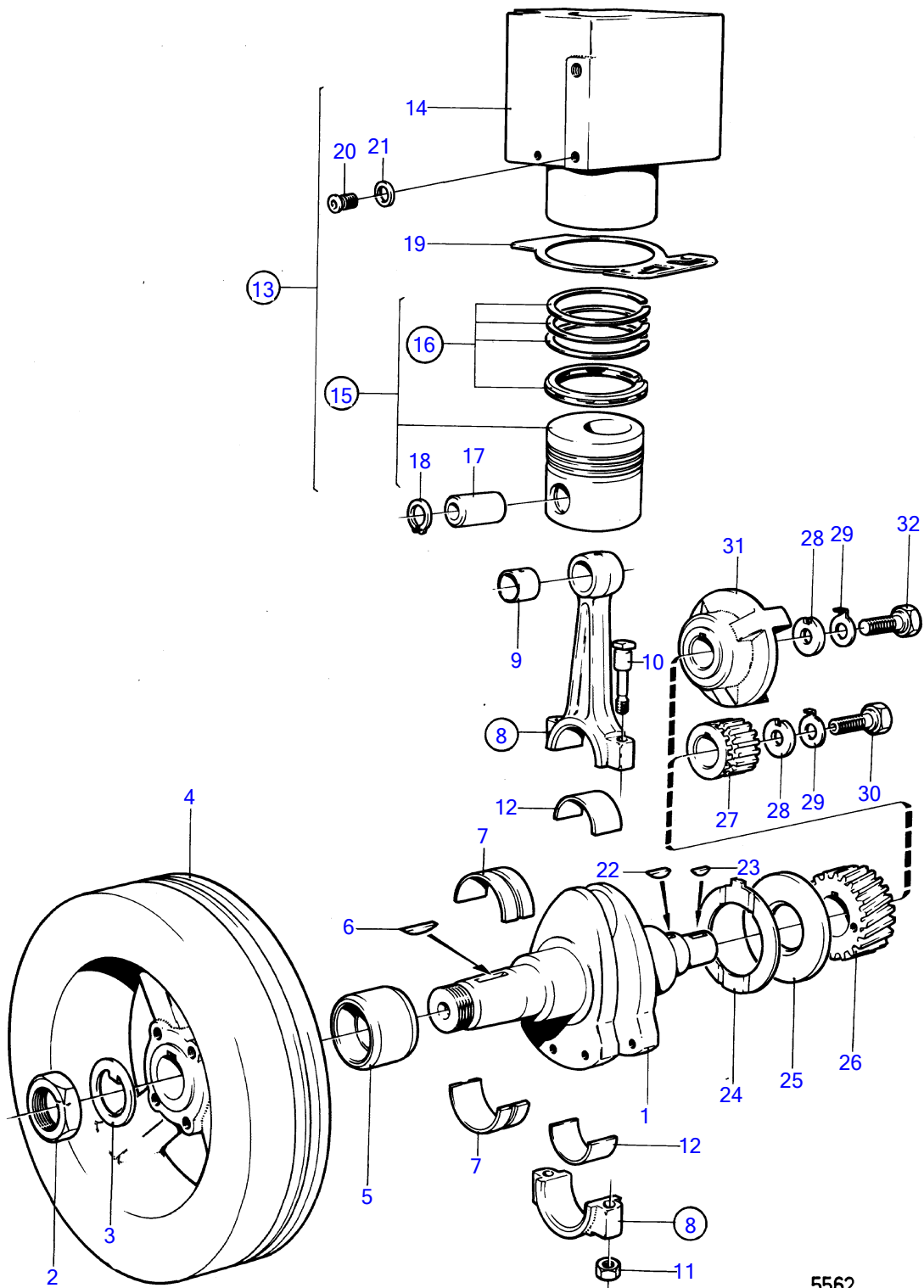


MD1B



## MD1B

REF	PART NO.	QTY	DESCRIPTION	SEE SEC.	NOTES
1	(833372)	1	Crankshaft		Obsolete part
2	10764	1	Nut		
3	15192	1	Washer		
4	(833318)	1	Flywheel		Obsolete part
5	803356	1	Sealing ring		
6	(910133)	1	Woodruff key		Obsolete part
7	875483	2	Main bearing kit		Std D
	875485	2	Main bearing kit		0,25mm u.s
	(875486)	2	Main bearing kit		0,50mm u.s, Obsolete part
	(875487)	2	Main bearing kit		0,75mm u.s, Obsolete part
8	(807039)	1	Connecting rod		Obsolete part
9	803555	1	• Bushing		
10	(807040)	2	• Connecting rod bolt		Obsolete part
11	463643	2	• Nut		
12	875491	1	Big-end bearing kit		Std D
	875492	1	Big-end bearing kit		0,25mm u.s
	875493	1	Big-end bearing kit		0,50mm u.s
	(875494)	1	Big-end bearing kit		0,75mm u.s, Obsolete part
13	(875513)	1	Cylinder block	13754	Obsolete part
14		1	• cylinder		
15	875551	1	• Piston kit		Std D
	875579	1	• Piston		0,75mm o.s
16	875498	1	• • Piston ring kit		Std D
	875499	1	• • Piston ring kit		0,75mm o.s
17	833185	1	• • Piston pin		
18	914515	2	• • Snap ring		
19	833497	1	• Spacer		TH=0.2mm
	833498	1	• Spacer		TH=0.3mm
20	(807125)	1	• Plug		Obsolete part
21	18811	1	• Gasket		
22	(910121)	1	Woodruff key		Obsolete part
23	910122	1	Woodruff key		Early type, see group 4A
	(910121)	1	Woodruff key		Late type, see group 4A, Obsolete part
24	803515	2	Thrust washer		
25	(802502)	1	Support washer		Obsolete part
26	(405025)	1	Gear		Obsolete part
27	(802588)	1	Gear		For engine with reduction reverse gear., See group 4A, Obsolete part
28	(803225)	1	Washer		Obsolete part
29	803226	1	Lock washer		
30	(807041)	1	Lock screw		For engine with reduction reverse gear., See group 4A, Obsolete part
31	(834336)	1	Companion flange		For engine with monoshift reverse gear., See group 4A, Obsolete part
32	(959664)	1	Hexagon screw		For engine with monoshift reverse gear., Obsolete part