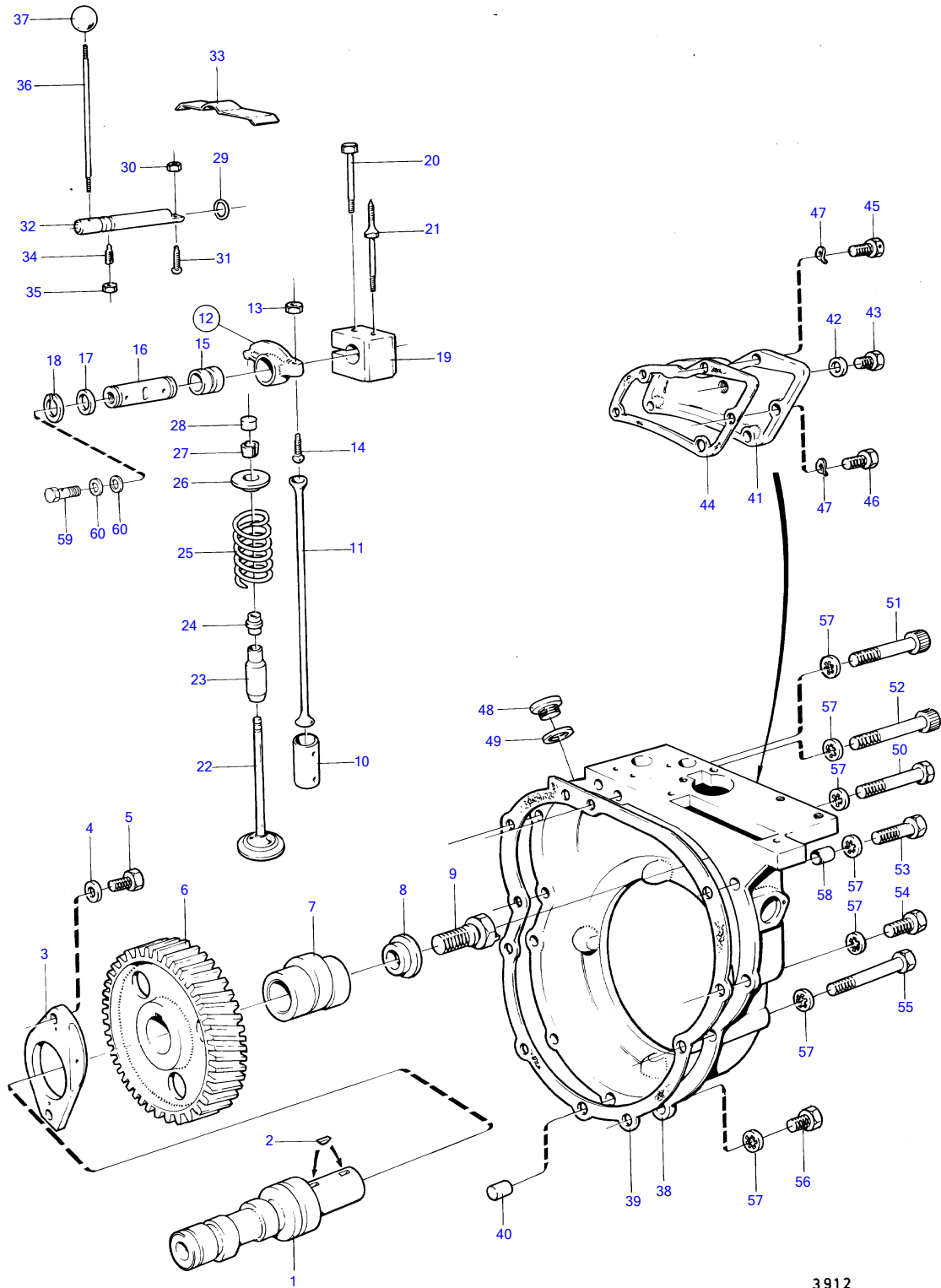


MD1B



3912

MD1B

REF	PART NO.	QTY	DESCRIPTION	SEE SEC.	NOTES
1	(833162)	1	Camshaft		Obsolete part
2	(910121)	2	Woodruff key		Obsolete part
3	(405079)	1	Flange		Obsolete part
4	(15256)	2	Washer		Obsolete part
5	955296	2	Hexagon screw		
6	(405026)	1	Gear		Obsolete part
7	(833485)	1	Cam disc		Obsolete part
8	(803348)	1	Guide washer		Obsolete part
9	(807031)	1	Screw		Obsolete part
10	807393	2	Tappet		
11	403130	2	Push rod		
12	(403561)	1	Rocker arm, intake		Obsolete part
	(803247)	1	Rocker arm, exhaust		Obsolete part
13	(955800)	2	• Hexagon nut		Obsolete part
14	403155	2	• Ball stud		
15	(18146)	2	• Bushing		Obsolete part
16	(833222)	1	Rocker arm shaft		Obsolete part
17	(191173)	4	Shim		TH=0.7mm, Obsolete part
18	(914452)	2	Snap ring		Obsolete part
19	(833223)	1	Bearing box		Obsolete part
20	955300	1	Hexagon screw		
21	(833569)	1	Screw	13743	Obsolete part
22	833188	1	Valve		
	829620	1	Exhaust valve		Early type of exhaust valve + valve seal is replaced by 829620.
23	419653	1	Valve guide, intake	13743	
	829867	1	Guide sleeve, exhaust	13743	
24	1306630	1	Valve stem seal, intake		(833347)
25	829622	2	Valve spring		(403387)
26	403314	2	Valve spring washer		
27	403315	4	Lock		
28	896580	2	Valve cap		
29	925053	1	O-ring		
30	(955800)	1	Hexagon nut		Obsolete part
31	403155	1	Ball stud		
32		1	shaft		Replaced by 1ea 833499 + 1ea 945292 + 1ea 940344., MO-18708
	(833499)	1	Shaft		Obsolete part, MO 18709-
33	(803604)	1	Spring		Obsolete part
34	(919118)	1	Set screw		Obsolete part
35	955781	1	Hexagon nut		
36	(897390)	1	Stud		Obsolete part, MO-18708
	945292	1	Stud		MO 18709-
37	(807042)	1	Ball		Obsolete part, MO-18708
	940344	1	Wing nut		MO 18709-
38	(833183)	1	Timing gear casing		Obsolete part
39	803360	1	Gasket		
40	950586	2	Pin	13754	
41		1	cover		Replaced by 1ea 833766 + 1ea 957175 + 1ea 16322., MO-22018
	(833766)	1	Hatch		Obsolete part, MO 22019-
42	957175	1	Gasket		MO 22019-
43	(16322)	1	Plug		Obsolete part, MO 22019-
44	897327	1	Gasket		
45	192356	1	Hexagon screw		
46	955273	4	Hexagon screw		
47	941906	5	Spring washer		
48		1	plug		Replaced by 1ea 833511 + 1ea 807363., MO-18791
	(833511)	1	Plug		Obsolete part, MO 18792-20599
	(833496)	1	Plug		Obsolete part, MO 20600-
49	925065	1	O-ring		MO-18791
	807363	1	Sealing ring		MO 18792-20599
	957191	1	Gasket		MO 20600-
50	(192357)	1	Screw		Obsolete part, L=115mm
51	(945295)	1	Screw		Obsolete part, L=110mm
52	(943795)	1	Hex. socket screw		Obsolete part, L=130mm

