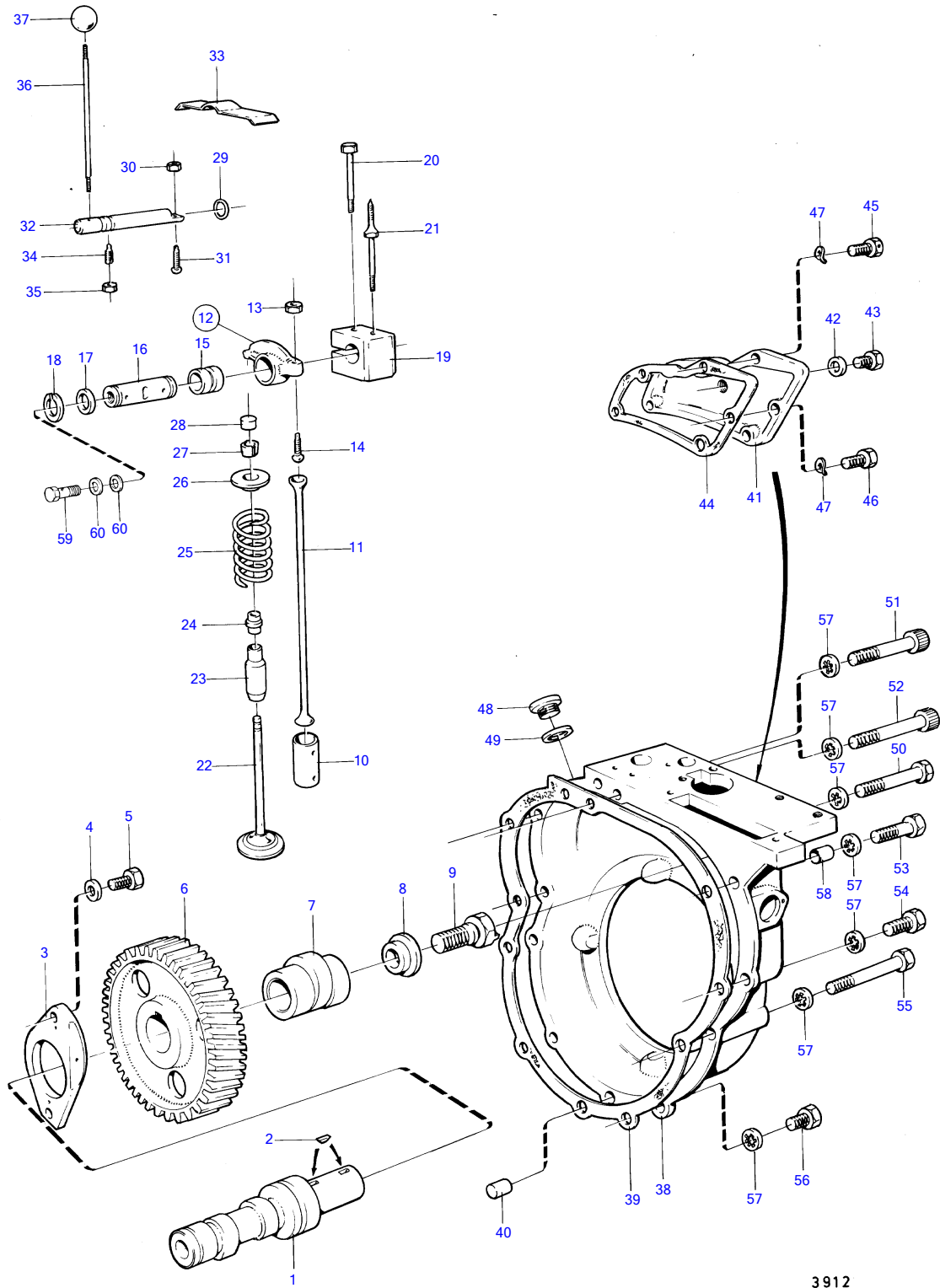


MD1B



3912

MD1B

| REF | PART NO. | QTY | DESCRIPTION | SEE SEC. | NOTES |
|-----|----------|-----|-------------------------|----------|---|
| 1 | (833162) | 1 | Camshaft | | Obsolete part |
| 2 | (910121) | 2 | Woodruff key | | Obsolete part |
| 3 | (405079) | 1 | Flange | | Obsolete part |
| 4 | (15256) | 2 | Washer | | Obsolete part |
| 5 | 955296 | 2 | Hexagon screw | | |
| 6 | (405026) | 1 | Gear | | Obsolete part |
| 7 | (833485) | 1 | Cam disc | | Obsolete part |
| 8 | (803348) | 1 | Guide washer | | Obsolete part |
| 9 | (807031) | 1 | Screw | | Obsolete part |
| 10 | 807393 | 2 | Tappet | | |
| 11 | 403130 | 2 | Push rod | | |
| 12 | (403561) | 1 | Rocker arm, intake | | Obsolete part |
| | (803247) | 1 | Rocker arm, exhaust | | Obsolete part |
| 13 | (955800) | 2 | • Hexagon nut | | Obsolete part |
| 14 | 403155 | 2 | • Ball stud | | |
| 15 | (18146) | 2 | • Bushing | | Obsolete part |
| 16 | (833222) | 1 | Rocker arm shaft | | Obsolete part |
| 17 | (191173) | 4 | Shim | | TH=0.7mm, Obsolete part |
| 18 | (914452) | 2 | Snap ring | | Obsolete part |
| 19 | (833223) | 1 | Bearing box | | Obsolete part |
| 20 | 955300 | 1 | Hexagon screw | | |
| 21 | (833569) | 1 | Screw | 13743 | Obsolete part |
| 22 | 833188 | 1 | Valve | | |
| | 829620 | 1 | Exhaust valve | | Early type of exhaust valve + valve seal is replaced by 829620. |
| 23 | 419653 | 1 | Valve guide, intake | 13743 | |
| | 829867 | 1 | Guide sleeve, exhaust | 13743 | |
| 24 | 1306630 | 1 | Valve stem seal, intake | | (833347) |
| 25 | 829622 | 2 | Valve spring | | (403387) |
| 26 | 403314 | 2 | Valve spring washer | | |
| 27 | 403315 | 4 | Lock | | |
| 28 | 896580 | 2 | Valve cap | | |
| 29 | 925053 | 1 | O-ring | | |
| 30 | (955800) | 1 | Hexagon nut | | Obsolete part |
| 31 | 403155 | 1 | Ball stud | | |
| 32 | | 1 | shaft | | Replaced by 1ea 833499 + 1ea 945292 + 1ea 940344., MO-18708 |
| | (833499) | 1 | Shaft | | Obsolete part, MO 18709- |
| 33 | (803604) | 1 | Spring | | Obsolete part |
| 34 | (919118) | 1 | Set screw | | Obsolete part |
| 35 | 955781 | 1 | Hexagon nut | | |
| 36 | (897390) | 1 | Stud | | Obsolete part, MO-18708 |
| | 945292 | 1 | Stud | | MO 18709- |
| 37 | (807042) | 1 | Ball | | Obsolete part, MO-18708 |
| | 940344 | 1 | Wing nut | | MO 18709- |
| 38 | (833183) | 1 | Timing gear casing | | Obsolete part |
| 39 | 803360 | 1 | Gasket | | |
| 40 | 950586 | 2 | Pin | 13754 | |
| 41 | | 1 | cover | | Replaced by 1ea 833766 + 1ea 957175 + 1ea 16322., MO-22018 |
| | (833766) | 1 | Hatch | | Obsolete part, MO 22019- |
| 42 | 957175 | 1 | Gasket | | MO 22019- |
| 43 | (16322) | 1 | Plug | | Obsolete part, MO 22019- |
| 44 | 897327 | 1 | Gasket | | |
| 45 | 192356 | 1 | Hexagon screw | | |
| 46 | 955273 | 4 | Hexagon screw | | |
| 47 | 941906 | 5 | Spring washer | | |
| 48 | | 1 | plug | | Replaced by 1ea 833511 + 1ea 807363., MO-18791 |
| | (833511) | 1 | Plug | | Obsolete part, MO 18792-20599 |
| | (833496) | 1 | Plug | | Obsolete part, MO 20600- |
| 49 | 925065 | 1 | O-ring | | MO-18791 |
| | 807363 | 1 | Sealing ring | | MO 18792-20599 |
| | 957191 | 1 | Gasket | | MO 20600- |
| 50 | (192357) | 1 | Screw | | Obsolete part, L=115mm |
| 51 | (945295) | 1 | Screw | | Obsolete part, L=110mm |
| 52 | (943795) | 1 | Hex. socket screw | | Obsolete part, L=130mm |

