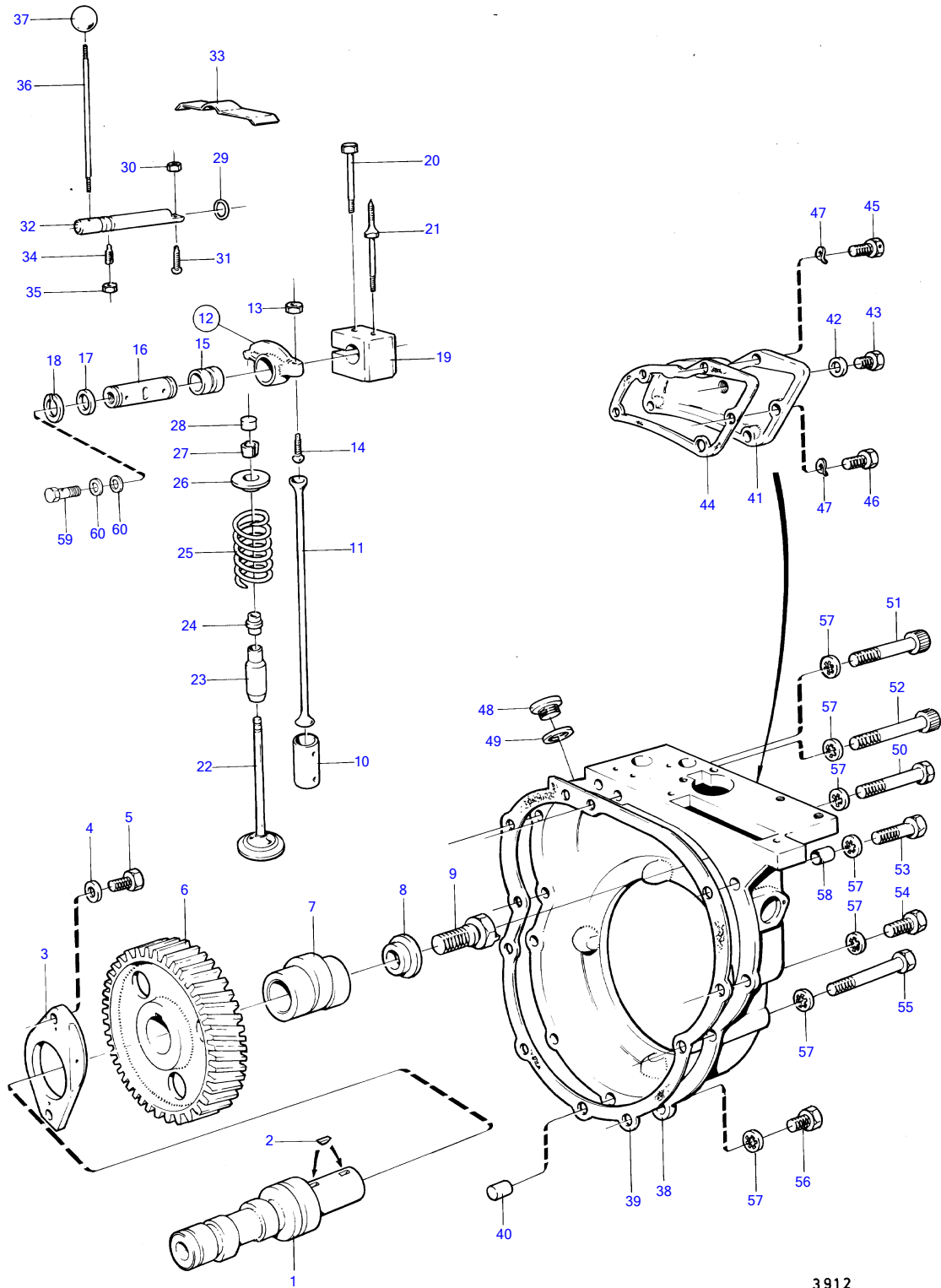


MD1B



3912

## MD1B

| REF | PART NO. | QTY | DESCRIPTION             | SEE SEC. | NOTES   |
|-----|----------|-----|-------------------------|----------|---|
| 1   | (833162) | 1   | Camshaft                |          | Obsolete part   |
| 2   | (910121) | 2   | Woodruff key            |          | Obsolete part   |
| 3   | (405079) | 1   | Flange                  |          | Obsolete part   |
| 4   | (15256)  | 2   | Washer                  |          | Obsolete part   |
| 5   | 955296   | 2   | Hexagon screw           |          |   |
| 6   | (405026) | 1   | Gear                    |          | Obsolete part   |
| 7   | (833485) | 1   | Cam disc                |          | Obsolete part   |
| 8   | (803348) | 1   | Guide washer            |          | Obsolete part   |
| 9   | (807031) | 1   | Screw                   |          | Obsolete part   |
| 10  | 807393   | 2   | Tappet                  |          |   |
| 11  | 403130   | 2   | Push rod                |          |   |
| 12  | (403561) | 1   | Rocker arm, intake      |          | Obsolete part   |
|     | (803247) | 1   | Rocker arm, exhaust     |          | Obsolete part   |
| 13  | (955800) | 2   | • Hexagon nut           |          | Obsolete part   |
| 14  | 403155   | 2   | • Ball stud             |          |   |
| 15  | (18146)  | 2   | • Bushing               |          | Obsolete part   |
| 16  | (833222) | 1   | Rocker arm shaft        |          | Obsolete part   |
| 17  | (191173) | 4   | Shim                    |          | TH=0.7mm, Obsolete part   |
| 18  | (914452) | 2   | Snap ring               |          | Obsolete part   |
| 19  | (833223) | 1   | Bearing box             |          | Obsolete part   |
| 20  | 955300   | 1   | Hexagon screw           |          |   |
| 21  | (833569) | 1   | Screw                   | 13743    | Obsolete part   |
| 22  | 833188   | 1   | Valve                   |          |   |
|     | 829620   | 1   | Exhaust valve           |          | Early type of exhaust valve + valve seal is replaced by 829620. |
| 23  | 419653   | 1   | Valve guide, intake     | 13743    |   |
|     | 829867   | 1   | Guide sleeve, exhaust   | 13743    |   |
| 24  | 1306630  | 1   | Valve stem seal, intake |          | (833347)  |
| 25  | 829622   | 2   | Valve spring            |          | (403387)  |
| 26  | 403314   | 2   | Valve spring washer     |          |   |
| 27  | 403315   | 4   | Lock                    |          |   |
| 28  | 896580   | 2   | Valve cap               |          |   |
| 29  | 925053   | 1   | O-ring                  |          |   |
| 30  | (955800) | 1   | Hexagon nut             |          | Obsolete part   |
| 31  | 403155   | 1   | Ball stud               |          |   |
| 32  |          | 1   | shaft                   |          | Replaced by 1ea 833499 + 1ea 945292 + 1ea 940344., MO-18708     |
|     | (833499) | 1   | Shaft                   |          | Obsolete part, MO 18709-  |
| 33  | (803604) | 1   | Spring                  |          | Obsolete part   |
| 34  | (919118) | 1   | Set screw               |          | Obsolete part   |
| 35  | 955781   | 1   | Hexagon nut             |          |   |
| 36  | (897390) | 1   | Stud                    |          | Obsolete part, MO-18708   |
|     | 945292   | 1   | Stud                    |          | MO 18709-   |
| 37  | (807042) | 1   | Ball                    |          | Obsolete part, MO-18708   |
|     | 940344   | 1   | Wing nut                |          | MO 18709-   |
| 38  | (833183) | 1   | Timing gear casing      |          | Obsolete part   |
| 39  | 803360   | 1   | Gasket                  |          |   |
| 40  | 950586   | 2   | Pin                     | 13754    |   |
| 41  |          | 1   | cover                   |          | Replaced by 1ea 833766 + 1ea 957175 + 1ea 16322., MO-22018      |
|     | (833766) | 1   | Hatch                   |          | Obsolete part, MO 22019-  |
| 42  | 957175   | 1   | Gasket                  |          | MO 22019-   |
| 43  | (16322)  | 1   | Plug                    |          | Obsolete part, MO 22019-  |
| 44  | 897327   | 1   | Gasket                  |          |   |
| 45  | 192356   | 1   | Hexagon screw           |          |   |
| 46  | 955273   | 4   | Hexagon screw           |          |   |
| 47  | 941906   | 5   | Spring washer           |          |   |
| 48  |          | 1   | plug                    |          | Replaced by 1ea 833511 + 1ea 807363., MO-18791                  |
|     | (833511) | 1   | Plug                    |          | Obsolete part, MO 18792-20599                                   |
|     | (833496) | 1   | Plug                    |          | Obsolete part, MO 20600-  |
| 49  | 925065   | 1   | O-ring                  |          | MO-18791  |
|     | 807363   | 1   | Sealing ring            |          | MO 18792-20599  |
|     | 957191   | 1   | Gasket                  |          | MO 20600-   |
| 50  | (192357) | 1   | Screw                   |          | Obsolete part, L=115mm  |
| 51  | (945295) | 1   | Screw                   |          | Obsolete part, L=110mm  |
| 52  | (943795) | 1   | Hex. socket screw       |          | Obsolete part, L=130mm  |

## MD1B

| REF | PART NO. | QTY | DESCRIPTION    | SEE SEC. | NOTES                 |
|-----|----------|-----|----------------|----------|-----------------------|
| 53  | (946408) | 1   | Screw          |          | Obsolete part, L=75mm |
| 54  | 955324   | 1   | Hexagon screw  |          | L=60mm                |
| 55  | 955332   | 1   | Hexagon screw  |          | L=120mm               |
| 56  | 955318   | 2   | Hexagon screw  |          | L=30mm                |
| 57  | 940109   | 8   | Toothed washer |          |                       |
| 58  | 943835   | 1   | Plug           |          |                       |
| 59  | 74033    | 1   | Hollow screw   | 13744    |                       |
| 60  | 957171   | 2   | Gasket         |          |                       |