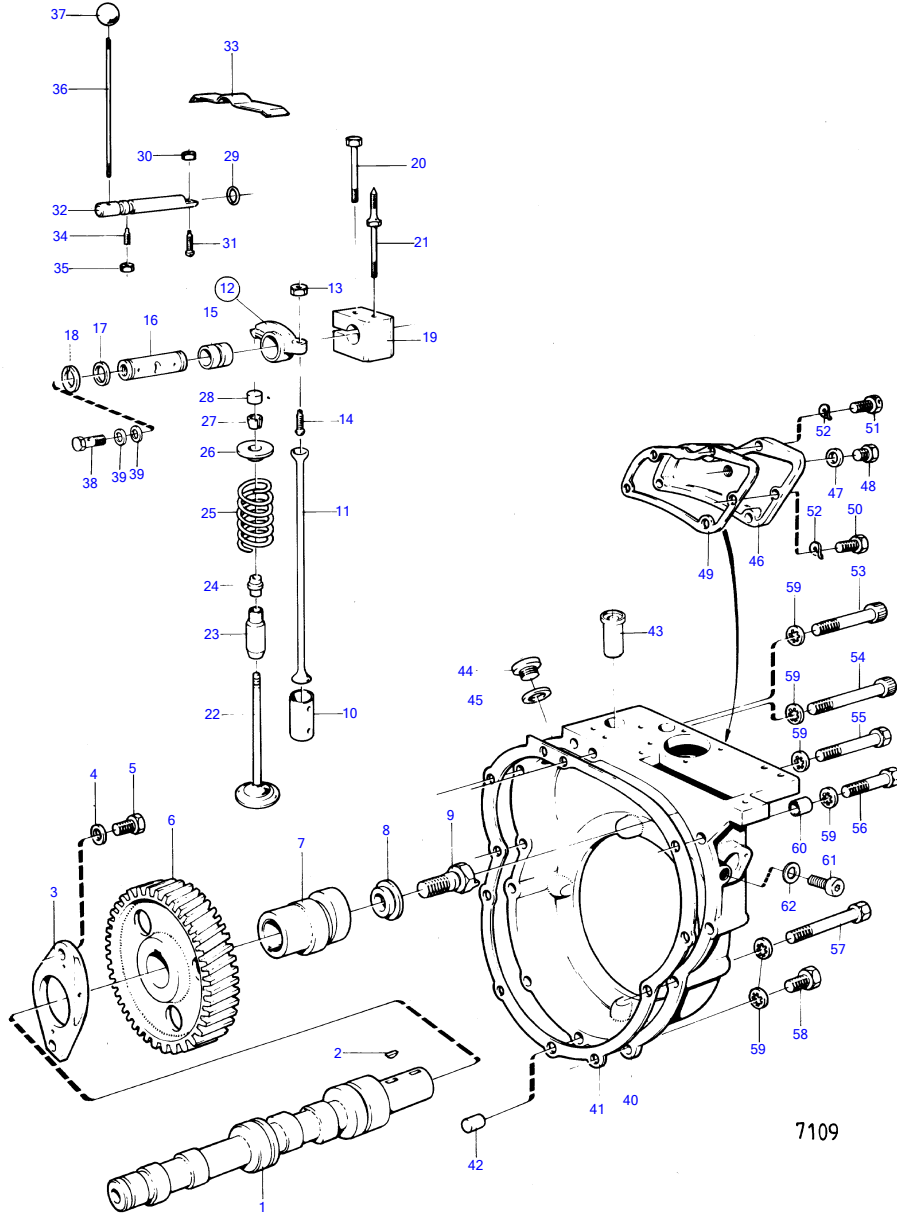


MD2B



7109

MD2B

REF	PART NO.	QTY	DESCRIPTION	SEE SEC.	NOTES
1	(833163)	1	Camshaft		Obsolete part
2	(910121)	2	Woodruff key		Obsolete part
3	(405079)	1	Flange		Obsolete part
4	(15256)	2	Washer		Obsolete part
5	955296	2	Hexagon screw		
6	(405026)	1	Gear		Obsolete part
7	(897248)	1	Cam disc		Obsolete part
8	(803348)	1	Guide washer		Obsolete part
9	(807031)	1	Screw		See group 2B, Obsolete part
10	807393	4	Tappet		
11	403130	4	Push rod		
12	(403561)	2	Rocker arm, intake		Obsolete part
	(803247)	2	Rocker arm, exhaust		Obsolete part
13	(955800)	4	• Hexagon nut		Obsolete part
14	403155	4	• Ball stud		
15	(18146)	4	• Bushing		Obsolete part
16	(833222)	2	Rocker arm shaft		Obsolete part
17	(191173)	8	Shim		Obsolete part, TH=0.7mm
18	(914452)	4	Snap ring		Obsolete part
19	(833223)	2	Bearing box		Obsolete part
20	955300	2	Hexagon screw		
21	(833569)	2	Screw	13743	Obsolete part
22	833188	2	Valve		
	829620	2	Exhaust valve		
23	419653	2	Valve guide, intake	13743	
	829867	2	Guide sleeve, exhaust	13743	
24	1306630	2	Valve stem seal, intake		(833347)
25	829622	4	Valve spring		
26	403314	4	Valve spring washer		
27	403315	8	Lock		
28	896580	4	Valve cap		
29	925053	2	O-ring		
30	(955800)	2	Hexagon nut		Obsolete part
31	403155	2	Ball stud		
32		2	shaft		Replaced by 2ea 833499 + 2ea 945292 + 2ea 940344., MO-12822
	(833499)	2	Shaft		Obsolete part, MO 12822-
33	(803604)	2	Spring		Obsolete part
34	(919118)	2	Set screw		Obsolete part
35	955781	2	Hexagon nut		
36	(897390)	2	Stud		Obsolete part, MO-12822
	945292	2	Stud		MO 12823-
37	(807042)	2	Ball		Obsolete part, MO-12822
	940344	2	Wing nut		MO 12823-
38	74033	2	Hollow screw	13745	
39	957171	4	Gasket		
				13745	
40		1	timing gear cover		Replaced by timing gear cover 829654 + plug 833521 + packing 957181., Early type
	(829654)	1	Timing gear casing		Obsolete part
41	803360	1	Gasket		
42	950586	2	Pin	13755	
43	(833041)	1	Bushing		Obsolete part, See group 2C
44		1	plug		Replaced by 1ea 833511 + 1ea 807363., MO-13397
	(833511)	1	Plug		Obsolete part, MO 13398-18346
	(833496)	1	Plug		Obsolete part, MO 18347-
45	925065	1	O-ring		MO-13397
	807363	1	Sealing ring		MO 13398-18346
	957191	1	Gasket		MO 18347-
46		1	cover		Replaced by 1ea 833766 + 1ea 957175 + 1ea 16322., MD2B spec 867143, 867144., MO-22018
	(833766)	1	Hatch		Obsolete part, MO 22019-
47	957175	1	Gasket		MO 22019-
48	(16322)	1	Plug		Obsolete part, MO 22019-

7742090-21-13740

7109

Upd:2011-02-18

MD1B, MD2B, AQD2B, MD3B



MD2B

REF	PART NO.	QTY	DESCRIPTION	SEE SEC.	NOTES
49	897327	1	Gasket		
50	955273	4	Hexagon screw		L=0.875" (22mm)
51	192356	1	Hexagon screw		
52	941906	5	Spring washer		
53	(945295)	1	Screw		Obsolete part, L=110mm
54	(943795)	1	Hex. socket screw		Obsolete part, L=130mm
55	(192357)	1	Screw		Obsolete part, L=115mm
56	955324	2	Hexagon screw		L=60mm
	955324	1	Hexagon screw		MD2B spec 867143, 867144., MD11C spec 867351., MD11C/HD-BT.
	(946408)	1	Screw		Obsolete part, MD2B spec 867143, 867144., MD11C spec 867351., L=75mm
57	955332	1	Hexagon screw		L=120mm
58	955318	2	Hexagon screw		L=30mm
59	942336	8	Spring washer		
60	943835	1	Plug		MD2B spec 867143, 867144., MD11C spec 867351.
61	(833521)	1	Plug		Obsolete part
62	957181	1	Gasket		