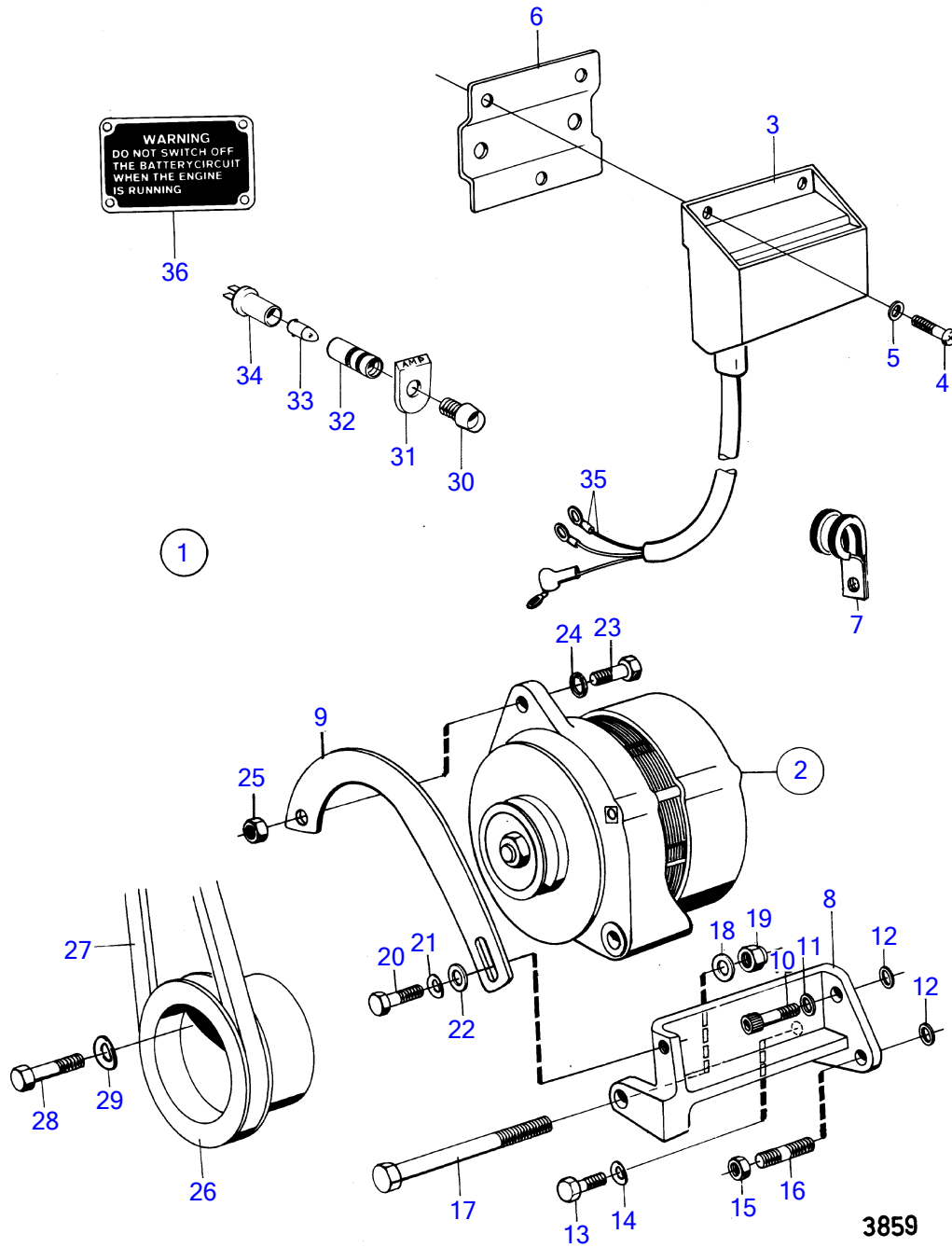


MD2B



MD2B

REF	PART NO.	QTY	DESCRIPTION	SEE SEC.	NOTES
1	833456	1	Alternator		Obsolete part
2	827302	1	• Alternator		Replaced by 834610.
	834610	1	• Alternator		Replaced by 831380.
		1	•		Replaced by 831380.
	841380	1	• Alternator		Repl by 841770
3	843547	1	• Governor		(827089) early type
4	956090	3	• Cross recessed screw		Early type
5	955948	3	• Toothed washer		Early type
6	833455	1	• Bracket		Early type, Obsolete part
7	952624	1	• Clamp		Early type
8	833309	1	• Bracket		Obsolete part
9	833311	1	• Tensioner		Obsolete part
10	959241	1	• Hex. socket screw		
11	941908	4	• Spring washer		
12	941744	3	• Washer		
13	940132	1	• Hexagon screw		
14	941907	1	• Spring washer		
15	955782	1	• Hexagon nut		
16	924066	1	• Stud		
17	955701	1	• Hexagon screw		
18	943048	2	• Washer		TH=0.15mm, Obsolete part
19	950375	1	• Lock nut		
20	955296	1	• Hexagon screw		
21	941907	1	• Spring washer		
22	191172	1	• Washer		
23	940132	1	• Hexagon screw		
24	941907	1	• Spring washer		
25	955782	1	• Hexagon nut		
26		1	• pulley		Replaced by 833425 + 958306 + 4ea 959239.
	833425	1	• Pulley		Obsolete part
27	958311	1	• V-belt		Early type, L=1025mm
	958306	1	• V-belt		Late type, L=900mm
28	955320	4	• Hexagon screw		Early type, L=40mm
	959239	4	• Hex. socket screw		Late type, L=30mm
29	941908	4	• Spring washer		
30	819346	1	• Glass		Obsolete part
31	819136	1	• Sign		Obsolete part
32	819350	1	• Sleeve		
33	19923	1	• Bulb		
34	808175	1	• Lamp socket		
35		X	• cables and terminals	13791	
36	821042	1	• Sign		Obsolete part