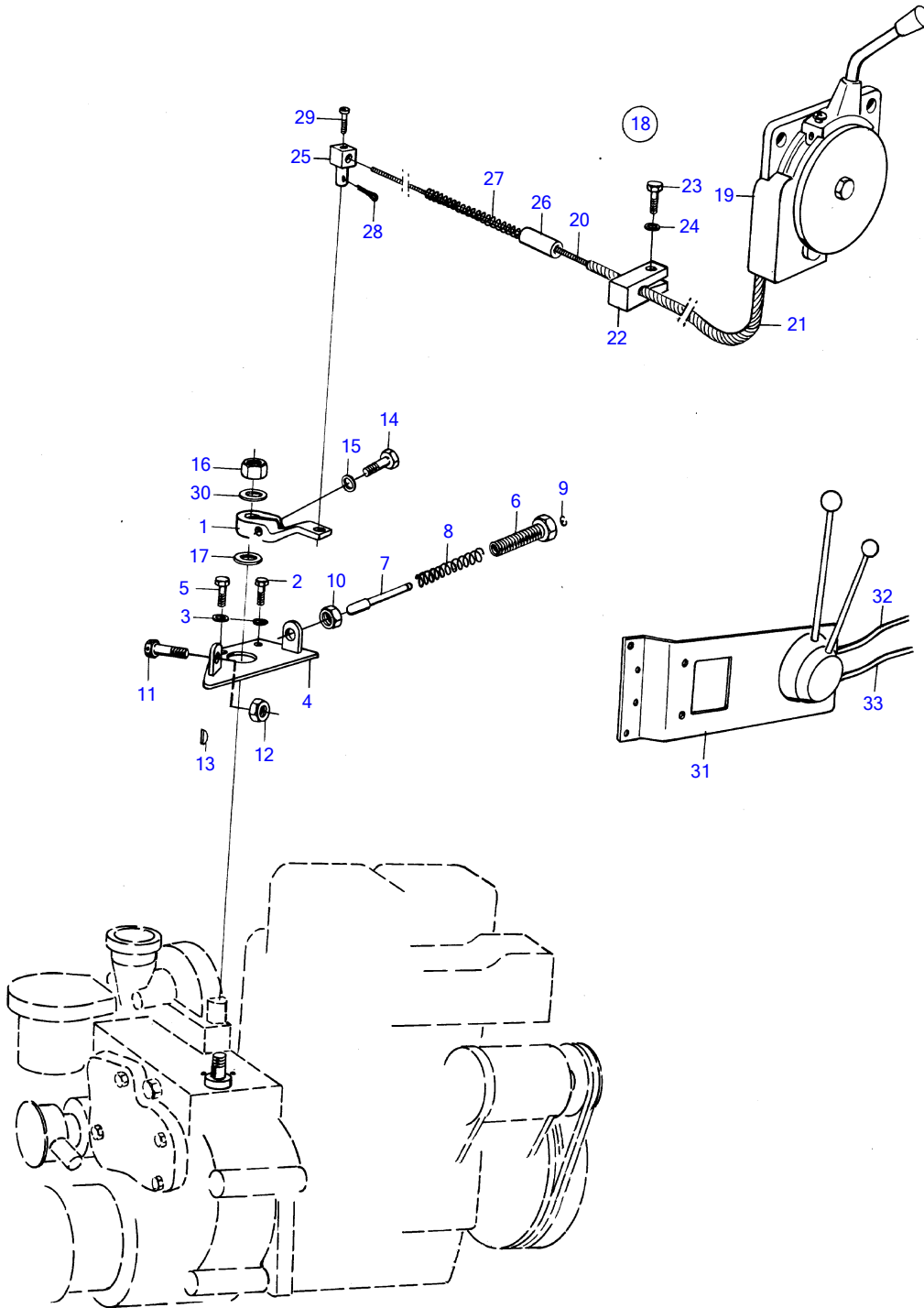


MD1B, MD2B, MD3B



3197

## MD1B, MD2B, MD3B

REF	PART NO.	QTY	DESCRIPTION	NOTES
1	(833273)	1	Lever	Obsolete part
2	955270	1	Hexagon screw	
3	941906	2	Spring washer	
4	(833072)	1	Bracket	Obsolete part
5	955270	1	Hexagon screw	
6	833076	1	Sleeve	
7	(833077)	1	Pin	Obsolete part
8	833078	1	Spring	
9	951667	1	E-circlip	
10	955792	1	Hexagon nut	
11	944323	1	Screw	
12	955782	1	Hexagon nut	
13	910112	1	Woodruff key	Early type
14	(959617)	1	Screw	Obsolete part
15	941907	1	Spring washer	
16	963107	1	Lock nut	
17	940280	1	Spring washer	
18	(833083)	1	Throttle control	Obsolete part
19	(833226)	1	• Throttle control	Obsolete part
20	(807590)	X	• Cable	L=2200mm, Obsolete part
21	(807591)	X	• Cable sheath	Obsolete part, L=2000mm
22	(803913)	1	• Anchorage	Obsolete part
23	955296	1	• Hexagon screw	
24	941907	1	• Spring washer	
25	833133	1	• Cube	
26	(833549)	1	• Spacer sleeve	Obsolete part
27	(833134)	1	• Compression spring	Obsolete part
28	907824	1	• Split pin	
29	(956047)	1	• Cross recessed screw	Obsolete part
30	955898	1	Washer	
31	(833120)	1	Local part installation components	Obsolete part, See group 9
32		X	control cable for engine speed control	See group 9
33		X	control cable for reduction reverse gear	See group 9