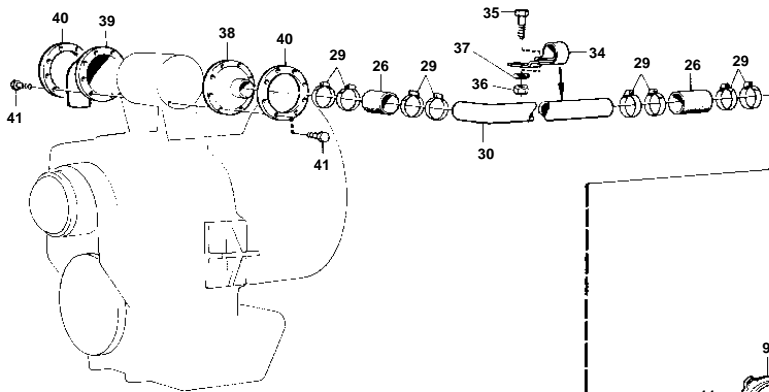
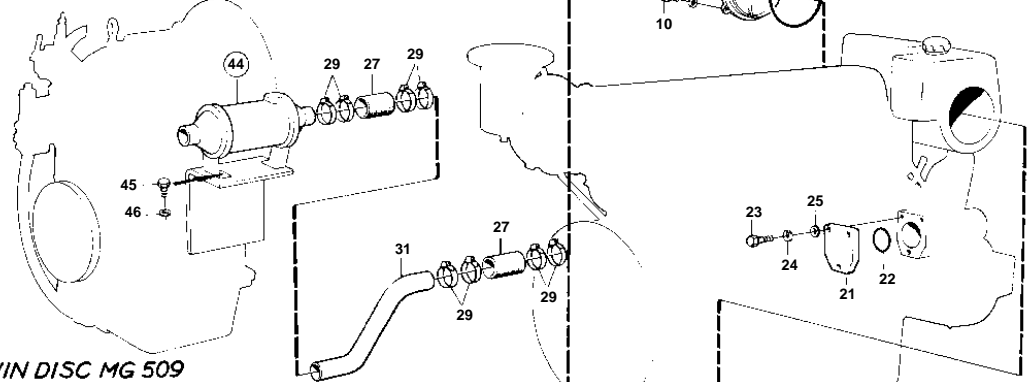


MD120A SPEC 9923, TMD120A SPEC 9925

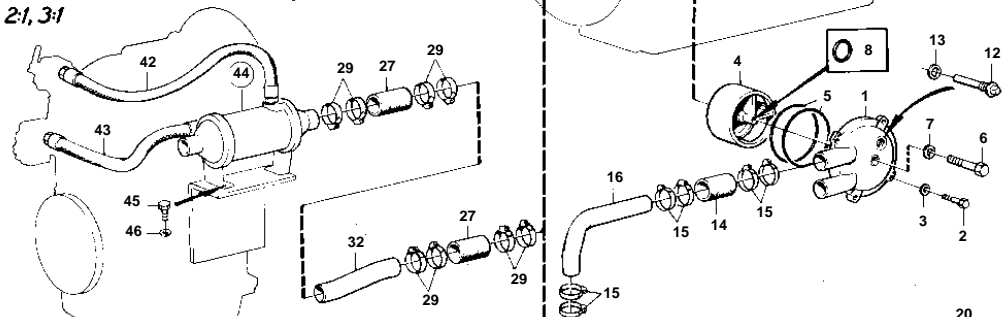
SCG MRF 700  
SCG MRF 700 LR MK III, MK IV



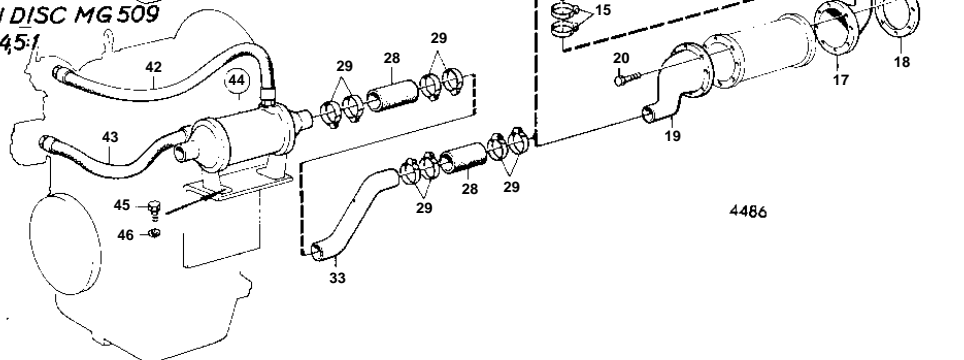
TWIN DISC MG 514



TWIN DISC MG 509  
UTV 2:1, 3:1



TWIN DISC MG 509  
UTV 4:5:1



4486

**MD120A SPEC 9923,TMD120A SPEC 9925**

REF	PART NO.	QTY	DESCRIPTION	NOTES
1	822545	1	Cover	
2	955536	4	Screw	
3	942336	4	Spring washer	
4	823688	1	Housing	
5	925278	3	O-ring	
6	955598	1	Screw	
7	941912	1	Spring washer	
8	955977	1	Rubber ring	
9	823689	1	End cover	
10	955535	4	Screw	
11	942336	4	Spring washer	
12	823661	3	Zinc electrode	(823661)
13	836169	3	Gasket	IK
14	943372	X	Rubber hose	L = 110 MM (952980)
15	943480	8	Clamp	(951797)
16	823690	1	Tube	
17	823803	1	End plate	
18	823802	1	Clamping ring	
19	824454	1	End cover	
20	955514	16	Screw	
21	420178	1	Cover	
22	413619	1	Gasket	IK
23	955576	3	Screw	
24	941911	3	Spring washer	
25	955899	3	Washer	
26	943372	X	Rubber hose	L = 70 MM (952980)
27	943372	X	Rubber hose	L = 150 MM (952980). MD21A, MD21B FOR SEPARATE WATER OUTLET.
28	943372	X	Rubber hose	L = 170 MM
29	943480	8	Clamp	
30	824452	1	Coolant pipe	SCG MRF 700
	824450	1	Tube	SCG MRF 700 LR MK3
31	836115	1	Tube	
32	837109	1	Tube	
33	837117	1	Tube	
34	824433	1	Clamp	
35	940159	1	Screw	
36	955826	1	Nut	
37	941907	1	Spring washer	
38	823813	1	End plate	REPLACED BY 828412.
	836888	1	End cover	FOR SCG MRF700 MK4
39	823803	1	End plate	REPLACED BY 828412.
	836888	1	End cover	FOR SCG MRF700 MK4
40	823802	2	Clamping ring	REPLACED BY 828412.
41	940117	16	Screw	REPLACED BY 828412.
42	837119	1	Hose	L = 600 MM
43	837095	1	Hose	L = 695 MM
44	837099	1	Oil cooler	
			COMPONENTS	SEE GROUP 4A
45	940098	4	Screw	
46	942336	4	Spring washer	