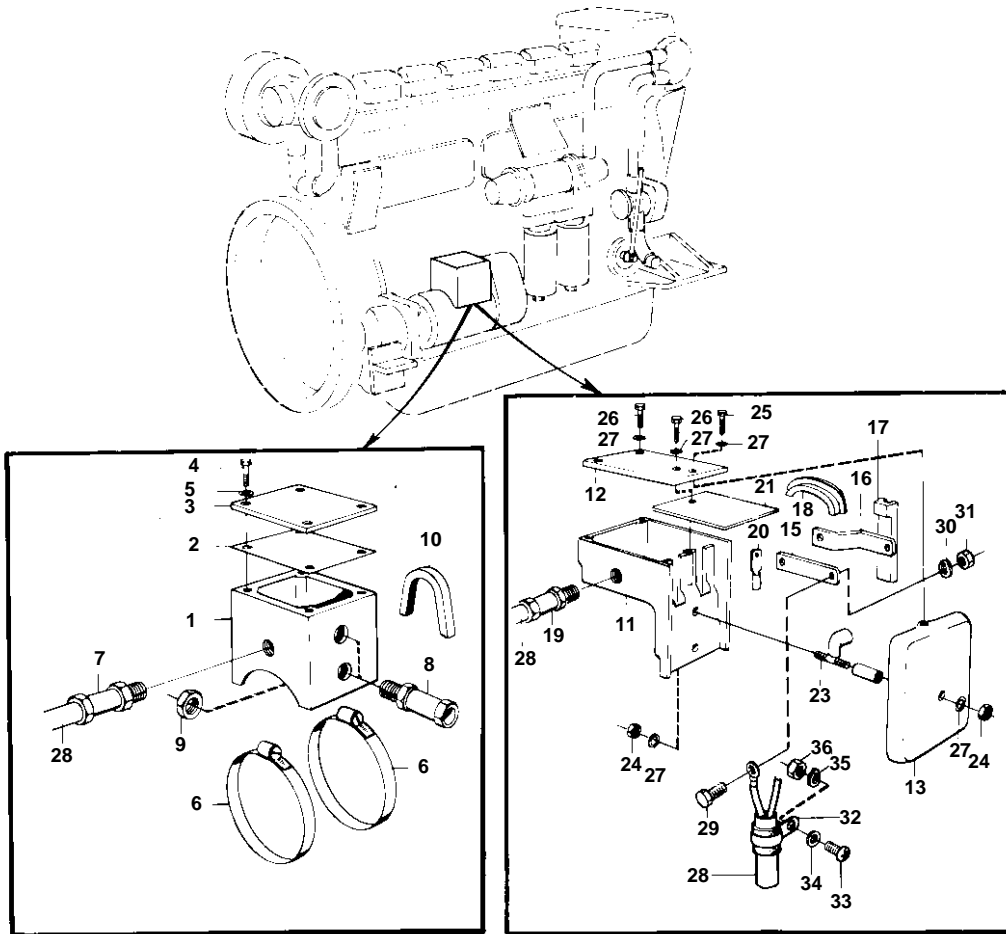


MD120A,TMD120A,TAMD120A,TAMD120B



6706

MD120A,TMD120A,TAMD120A,TAMD120B

REF	PART NO.	QTY	DESCRIPTION	SEE SEC.	NOTES
1	823515	1	Protection		MO 12770/XXXXX-
2	823517	1	Gasket		MO 12770/XXXXX-
3	823516	1	Cover		MO 12770/XXXXX-
4	191038	4	Screw		MO 12770/XXXXX-
5	941905	4	Spring washer		MO 12770/XXXXX-
6	943484	2	Hose clamp		(951801). MO 12770/XXXXX-
7	881192	1	Cable union		MO 12770/XXXXX-
8	881193	2	Cable union		MO 12770/XXXXX-
9	880755	2	Nut		MO 12770/XXXXX-
10	823700	X	Rubber moulding		L = 300 MM. MO 12770/XXXXX-
11	837377	1	Electrical distribut		REPLACED BY 1EA 841768.
12	837378	1	Cover		REPLACED BY 1EA 841768.
13	837379	1	Cover		REPLACED BY 1EA 841768.
14	837485	2	Clamping sleeve		REPLACED BY 1EA 841768.
15	837483	1	Guide rail		REPLACED BY 1EA 841768.
16	837484	1	Guide rail		REPLACED BY 1EA 841768.
17	837486	4	Housing		REPLACED BY 1EA 841768.
18	837488	1	Sealing strip		REPLACED BY 1EA 841768.
19	881192	1	Cable union		REPLACED BY 1EA 841768.
20		X	CABLE TERMINAL	030-1950	
21	837558	1	Rubber guard		REPLACED BY 1EA 841768.
22	192618	X	Hose		L = 50 MM. REPLACED BY 1EA 841768.
23	946945	1	Stud		REPLACED BY 1EA 841768.
24	955825	2	Nut		REPLACED BY 1EA 841768.
25	955513	1	Screw		REPLACED BY 1EA 841768.
26	940117	3	Screw		REPLACED BY 1EA 841768.
27	941906	6	Spring washer		REPLACED BY 1EA 841768.
28		X	CABLES		CAN'T BE USED ON ALTERNATOR 841765.
29	955315	2	Screw		ÅKERMAN SPEC. 867477.
30	941908	2	Spring washer		ÅKERMAN SPEC. 867477.
31	955783	2	Nut		ÅKERMAN SPEC. 867477.
32	952630	1	Clamp		ÅKERMAN SPEC. 867477.
33	956095	1	Screw		ÅKERMAN SPEC. 867477.
34	955892	1	Washer		ÅKERMAN SPEC. 867477.
35	941906	1	Spring washer		ÅKERMAN SPEC. 867477.
36	955781	1	Nut		ÅKERMAN SPEC. 867477.