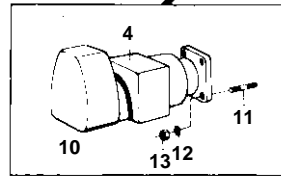
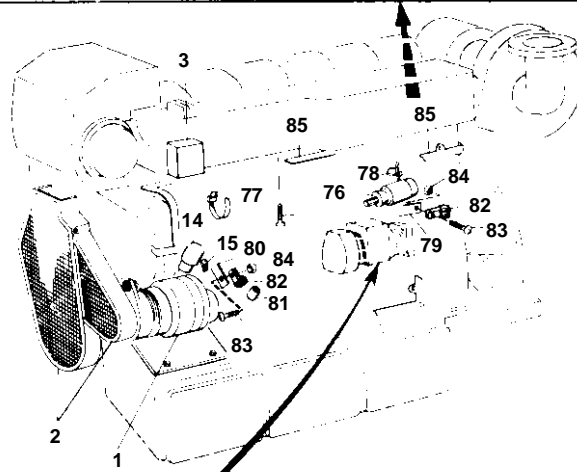
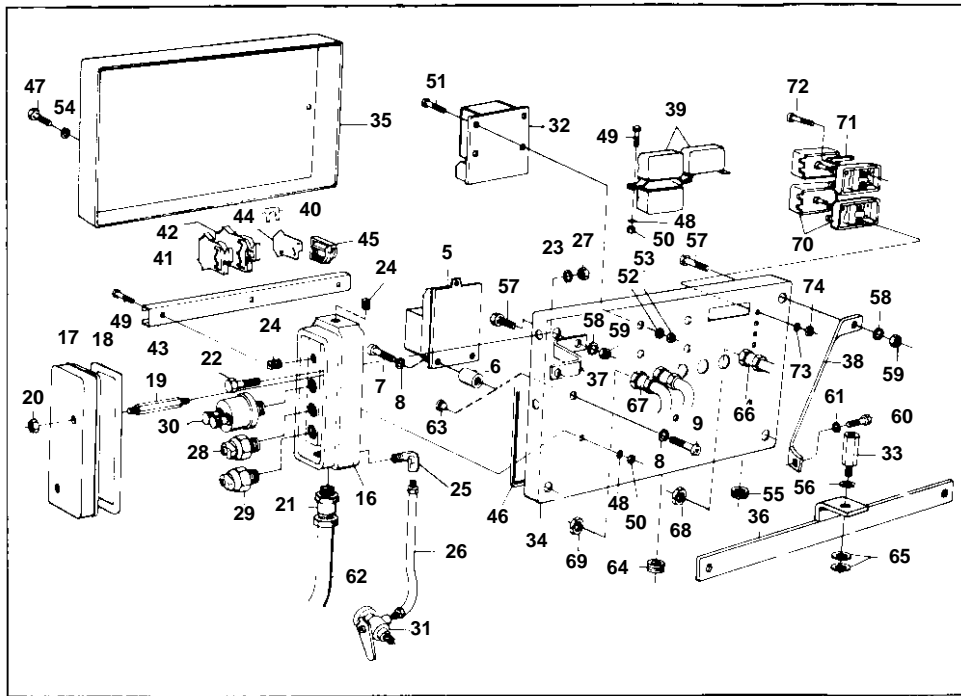


MD120A SPEC.867097,TMD120A SPEC. 867096,TAMD120A SPEC.867189



6705

MD120A SPEC.867097,TMD120A SPEC. 867096,TAMD120A SPEC.867189

REF	PART NO.	QTY	DESCRIPTION	SEE SEC.	NOTES
1			ALTERNATOR WITH INSTALLATION COMPONENTS		28V 25A
				030-0550	
2			BELT PROTECTION WITH INSTALLATION COMPONENTS		SEE GROUP 2A
3			THERMOSWITCH AND PROTECTING BOX WITH INSTALLATION COMPONENTS	030-0850	
4			STARTER COVER WITH INSTALLATION COMPONENTS	030-0900	
5	823480	1	Charge regulator		24V 25A. BRÖYT SPEC. 867510.
6	899709	3	Vibration damper		
7	956091	3	Screw		
8	941906	6	Spring washer		
9	956092	3	Screw		
10	870998	1	Starter motor		24V REPL BY 847308
				030-1400	
	847308	1	Starter motor		24V
			COMPONENTS NOT SPEC.		
11	953486	3	Stud		
12	942336	3	Spring washer		
13	955827	3	Nut		
14	1507899	1	Tachometer sensor		
15	76614	2	Rubber collar		
16	823486	1	Intermediate section		
17	823487	1	Cover		
18	823490	1	Gasket		
19	823488	2	Stud		
20	950363	2	Nut		
21	881192	1	Cable union		
22	940135	3	Screw		
23	941907	3	Spring washer		
24	16325	3	Plug		
25	180110	1	Elbow nipple		
26	334175	1	Hose		
27	955826	3	Nut		
28	843812	1	Switch		STOP
29	843813	1	Switch		ALARM
30	881432	1	Pressure sensor		
31	836273	1	Tap		
32	837718	1	Race gard		
33	837003	1	Screw		
34	824411	1	Clutch housing		
35	836366	1	Cover		
36	836368	1	Bracket		
37	836367	1	Bracket		
38	836760	1	Bracket		
39	239883	3	Relay		
40	836177	3	Current bar		
41	824159	40	Clamp		
42	824160	5	Clamp		EARLY TYPE
43	824161	1	Bracket		
44	824172	2	Bracket		
45	824173	2	Bracket		
46	842730	X	Sealing strip		L = 1420 MM
47	955284	2	Screw		
48	941905	5	Spring washer		
49	956076	5	Screw		
50	955780	5	Nut		
51	956061	2	Screw		

7742190 - 030 - 030-0300

6705

Upd: 22 NOV 2005

MD120A, TMD120A, TAMD120A, MD120B, TMD120B, TAMD120B



MD120A SPEC.867097,TMD120A SPEC. 867096,TAMD120A SPEC.867189

REF	PART NO.	QTY	DESCRIPTION	SEE SEC.	NOTES
52	941904	2	Spring washer		
53	955779	2	Nut		
54	941906	2	Spring washer		
55	662620	2	Rubber button		AQ290A MO-20459.
56	941912	1	Spring washer		
57	940133	4	Screw		
58	942336	4	Spring washer		
59	955827	4	Nut		
60	940135	1	Screw		
61	941907	1	Spring washer		
62			CABLES		CAN'T BE USED ON ALTERNATOR 841765.
63	655545	3	Rubber button		AQ290A MO 20460-.
64	94081	6	Rubber button		
65	955900	2	Washer		
66	881192	5	Cable union		
67	881193	2	Cable union		
68	880243	5	Nut		
69	880755	2	Nut		
70	88578	2	Fuse box		
71	943905	2	Fuse, BLUE		25A
	942785	2	Fuse		16A
72	956076	4	Screw		
73	941905	4	Spring washer		
74	955780	4	Nut		
76			STOP SOLENOID WITH INSTALLATION COMPONENTS		SEE GROUP 2D
77	335146	X	Tie straps		
78	948210	X	Strip clamp		(827353)
79	837619	1	Attaching plate		
80	837620	1	Attaching plate		
81	241608	1	Protective sleeve		
82	952627	2	Clamp		
83	950047	2	Screw		
84	955825	2	Nut		
85			CABLE HOLDERS		
86	950158	3	Screw		REPLACED BY 1EA ALTERNATOR 841989 AND 1EA PULLBY 829312.