

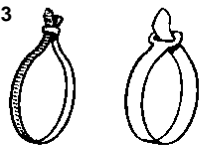


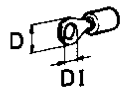
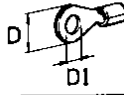
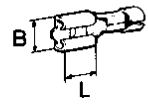
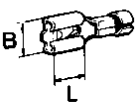
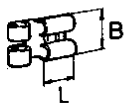
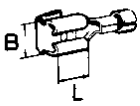
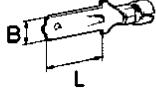
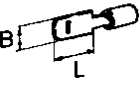

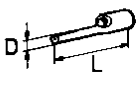
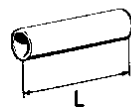
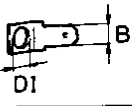



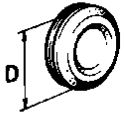



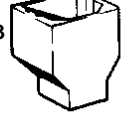
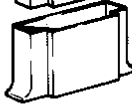





1 	2 	3 	4 
5 	6 	7 	8 
9 	10 	11 	12 
13 	14 	15 	16 
17 	18 	19 	20 
21 	22 	24 	26 
	23 	25 	27 
28 	29 		

4852

REF	PART NO.	QTY	DESCRIPTION	NOTES
1			CABLE	
	954443	X	Cable, 5 SQ MM BLACK	
	954444	X	Cable, 5 SQ MM BROWN	
	954445	X	Cable, 5 SQ MM RED	
	954446	X	Cable, 5 SQ MM YELLOW	
	954447	X	Cable, 5 SQ MM GREEN	
	954448	X	Cable, 5 SQ MM BLUE	
	954449	X	Cable, 5 SQ MM GREY	
	954450	X	Cable, 5 SQ MM IVORY	
	961793	X	, 5 SQ MM IVORY/ RED	
	961795	X	Cable, 5 SQ MM IVORY/ BLUE	
	961797	X	Cable, 5 SQ MM GREEN/ RED	
	961798	X	Cable, 5 SQ MM GREY/BLUE	
	961799	X	, 5 SQ MM BLUE/RED	
	961800	X	Cable, 5 SQ MM BLACK/YELLOW	
	954451	X	Cable, 5 SQ MM BLACK	
	954452	X	Cable, 5 SQ MM BROWN	
	954453	X	Cable, 5 SQ MM RED	
	954455	X	Cable, 5 SQ MM GREEN	
	954456	X	Cable, 5 SQ MM BLUE	
	954458	X	Cable, 5 SQ MM IVORY	
	954459	X		
	954461	X	Cable	
	954463	X	Cable	
	954464	X	Cable	
	954465	X	Cable	
	954467	X	Cable	
	954469	X	Cable	
	954471	X	Cable	
	954472	X		
	954474	X		
	954477	X		
	954485	X	Cable	
	954487	X		
	954500	X	Cable	
	954502	X	Cable	
	842092	X	Cable, 5 SQ MM	SPEC. 867474, TD70GG.
	846273	X	Cable, 5 SQ MM	SPEC. 867474, TD70GG.
	842093	X	Cable, 5 SQ MM	SPEC. 867474, TD70GG.
	843084	X	Cable, 5 SQ MM	SPEC. 867474, TD70GG.
	842091	X	Cable, 5 SQ MM	SPEC. 867474, TD70GG.
	844578	X	Cable, 5 SQ MM	SPEC. 867474, TD70GG.
	842090	X	Cable	SPEC. 867474, TD70GG.
	843085	X	Cable	SPEC. 867474, TD70GG.
	846345	X	Cable, 5 SQ MM	SPEC. 867474, TD70GG.
	846346	X	Cable, 5 SQ MM	SPEC. 867474, TD70GG.
2	185501	X	Outer casing	D = 9 MM, I.D = 8 MM
	185504	X	Hose	D = 11,5 MM, I.D = 8 MM
	185506	X	Outer casing	D = 6 MM, I.D = 5 MM
	185507	X	Outer casing	D = 11 MM, I.D = 10 MM
	185508	X	Local part	D = 16 MM, I.D = 14 MM
	185509	X	Outer casing	D = 19 MM, I.D = 15 MM
3	948210	X	Strip clamp	(827353)
	335146	X	Tie straps	AL
	948211	X	Strip clamp	(948210) D20-45 MM
	948211	X	Strip clamp	D45-75 MM
	949668	X	Strip clamp	D5-100 MM
4	942559	X		

REF	PART NO.	QTY	DESCRIPTION	NOTES
4	942659	X	• Terminal block	
	942660	X	• Terminal block	
	942558	X	• Terminal block	
	942661	X	• Terminal block	
	942662	X	• Terminal block	
5	182010	X	• Coupling piece	MAX 15 SQ MM
	190128	X	• Coupling piece	MAX 15 SQ MM
	190476	X	• Coupling piece	MAX 20 SQ MM
	941412	X	• Coupling piece	MAX 20 SQ MM
6	956924	X	Cable terminal	I.D = 3,7 MM D = 5,6 MM. REPLACED BY 1EA 846622 FLOW SWITCH AND 1EA 846632 NIPPLE.
	881492	X	Cable terminal, CABLE TERMINAL	(956928). ACC. TO CLASSIFICATION.
				I.D = 4,3 MM D = 8 MM
	881495	X	Cable terminal, CABLE TERMINAL	(956933). REPLACED BY LATE TYPE 845108.
				I.D = 6,5 MM D = 11 MM
	881496	X	Cable terminal, CABLE TERMINAL	(956934). REPLACED BY LATE TYPE 845108.
				I.D = 10,5 MM D = 18 MM
7	881516	X	Cable terminal	I.D = 3,5 MM D = 5,5 MM. REPLACED BY 1EA 846622 FLOW SWITCH AND 1EA 846632 NIPPLE.
	881492	X	Cable terminal	I.D = 4,3 MM D = 8,7 MM. ACC. TO CLASSIFICATION.
	881493	X	Cable terminal	I.D = 5,2 MM D = 8,7 MM. ACC. TO CLASSIFICATION.
	881508	X	Cable terminal	I.D = 6,7 MM D = 11,9 MM. ACC. TO CLASSIFICATION.
	881494	X	Cable terminal	I.D = 8,3 MM D = 11,9 MM. ACC. TO CLASSIFICATION.
	881504	X	Cable terminal	I.D = 10,5 MM D = 15,9 MM. ACC. TO CLASSIFICATION.
	881506	X	Cable terminal	I.D = 4,3 MM D = 9,5 MM. REPLACED BY LATE TYPE 845108.
	881495	X	Cable terminal	I.D = 5,2 MM D = 9,5 MM. REPLACED BY LATE TYPE 845108.
	881496	X	Cable terminal	I.D = 6,7 MM D = 12,7 MM. REPLACED BY LATE TYPE 845108.
	881497	X	Cable terminal	I.D = 8,3 MM D = 12,7 MM. REPLACED BY LATE TYPE 845108.
	881498	X	Cable terminal	I.D = 10,5 MM D = 15,4 MM. REPLACED BY LATE TYPE 845108.
	881500	X	Cable terminal	I.D = 5,2 MM D = 15,9 MM. AQ200D MO-11576, AQ225D MO-11736, AQ260A MO-11506, AQ290A MO-12259.
	881501	X	Cable terminal	I.D = 6,7 MM D = 15,9 MM. AQ200D MO-11576, AQ225D MO-11736, AQ260A MO-11506, AQ290A MO-12259.
	881502	X	Cable terminal	I.D = 8,3 MM D = 15,9 MM. AQ200D MO-11576, AQ225D MO-11736, AQ260A MO-11506, AQ290A MO-12259.
	940337	X	Cable terminal	I.D = 10,5 MM D = 15,9 MM. AQ200D MO-11576, AQ225D MO-11736, AQ260A MO-11506, AQ290A MO-12259.
	949591	X	Cable terminal	I.D = 4,3 MM D = 8,0 MM. STATE KEY CODE WHEN ORDERING
	881501	X	Cable terminal, TERMINAL	(940335). AQ200D MO 11577-, AQ225D MO 11737-, AQ260A MO 11507-, AQ290A MO12260-.
				I.D = 6,5 MM D = 16 MM
8	881483	X	Cable terminal	L = 7,7 MM B = 7,6 MM. ACC. TO CLASSIFICATION.
	881484	X	Cable terminal	L = 7,7 MM B = 7,6 MM. REPLACED BY LATE TYPE 845108.
9	881485	X	Cable terminal	L = 7,7 MM B = 7,6 MM. ACC. TO CLASSIFICATION.
	940340	X		L = 7,8 MM B = 7,8 MM. REPLACED BY 1EA 846622 FLOW SWITCH AND 1EA 846632 NIPPLE.
	881486	X	Cable terminal	L = 7,7 MM B = 7,6 MM. REPLACED BY LATE TYPE 845108.
	881484	X	• Cable terminal, TERMINAL	(958201). REPLACED BY LATE TYPE 845108.
				L = 7,8 MM B = 7,8 MM
	965883	X		L = 7,7 MM B = 7,6 MM. ENGINE WITH OIL SUPERVISION IN REAR OIL PAN COVER.
10	881517	X		L = 6,2 MM B = 5,6 MM. REPLACED BY 1EA 846622 FLOW SWITCH AND 1EA 846632 NIPPLE.
11	881491	X	Cable terminal	L = 7,7 MM B = 7,6 MM. ACC. TO CLASSIFICATION.
12	881487	X	Cable terminal	L = 15,7 MM B = 6,3 MM. ACC. TO CLASSIFICATION.
	881488	X	Cable terminal	L = 15,7 MM B = 6,3 MM. REPLACED BY LATE TYPE 845108.
13	881518	X	Cable terminal	L = 10,0 MM B = 6,3 MM. ACC. TO CLASSIFICATION.
14	881509	X	Cable terminal	I.D = 4,4 MM D = 9,8 MM. ACC. TO CLASSIFICATION.
	881505	X	Cable terminal	I.D = 5,2 MM D = 8,7 MM. ACC. TO CLASSIFICATION.
	881511	X	Cable terminal	I.D = 4,4 MM D = 8,0 MM. REPLACED BY LATE TYPE 845108.
15	942429	X	Cable terminal	I.D = 1,8 MM L = 14,4 MM. ACC. TO CLASSIFICATION.

REF	PART NO.	QTY	DESCRIPTION	NOTES
15	942430	X		D = 2,6 MM L = 20,6 MM. REPLACED BY LATE TYPE 845108.
16	956956	X	Splice	L = 26 MM. REPLACED BY 1EA 846622 FLOW SWITCH AND 1EA 846632 NIPPLE.
	956958	X	Splice	L = 26 MM. ACC. TO CLASSIFICATION.
	956960	X	Splice	L = 28 MM. REPLACED BY LATE TYPE 845108.
17	829311	X	Spade terminal	I.D = 5,2 MM B = 6,35 MM
18	959046	X	Protecting sleeve	I.D = 9 MM
19	76614	X	Rubber collar	
	841234	X	Rubber collar	
20	673580	X	Rubber collar	
21	941269	X	Cable grommet	D = 25 MM
22	958213	X	Housing	
23	958212	X	Receptacle housing	
24	941104	X	Receptacle housing	
25	941105	X	Receptacle housing	
26	945830	X	Receptacle housing	
27	945831	X	Tab housing	
28	1214948	X	Receptacle housing	
29	949181	X	Receptacle housing	