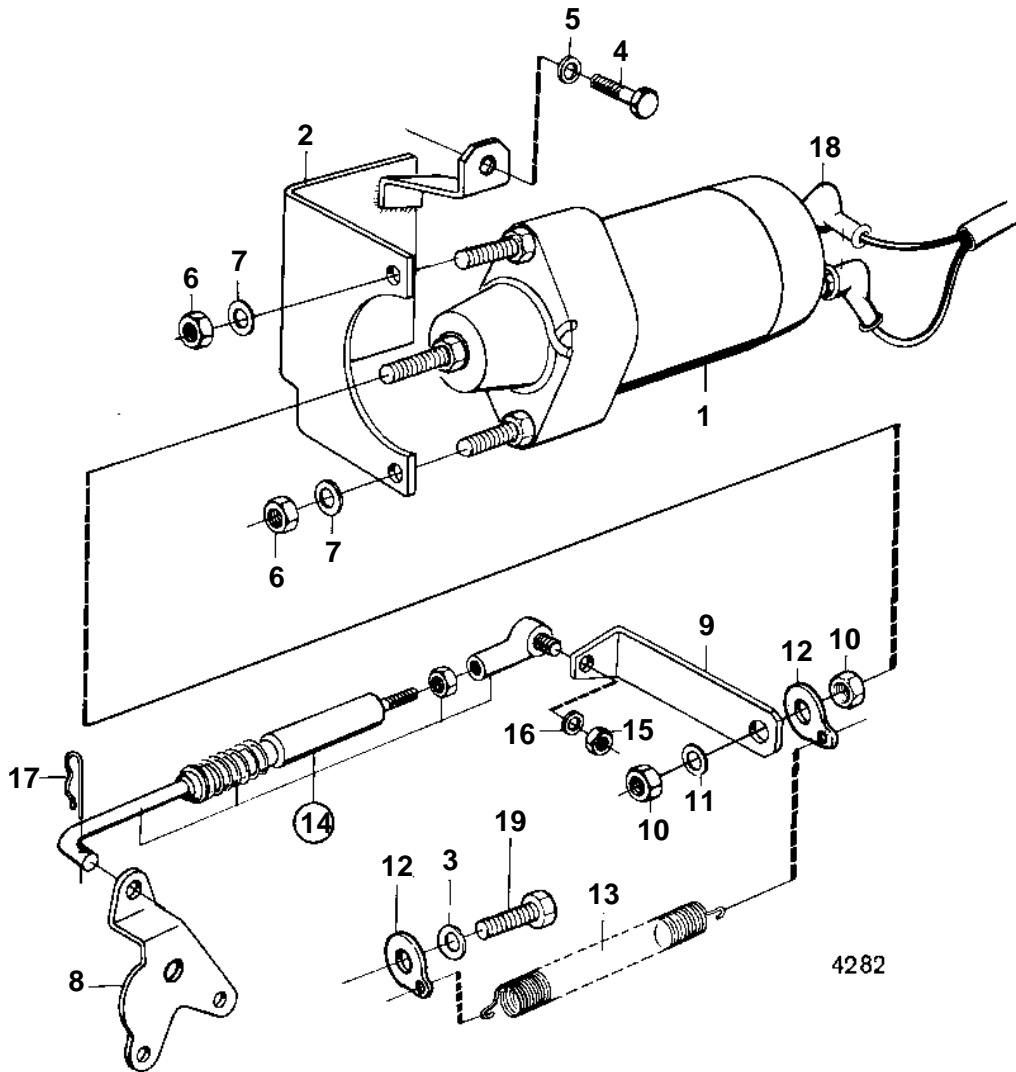


MD120A, TMD120A, TAMD120A



MD120A,TMD120A,TAMD120A

REF	PART NO.	QTY	DESCRIPTION	NOTES
1	842549	1	Stop solenoid	24V
2	842547	1	Bracket	
3	941906	1	Spring washer	
4	955534	2	Screw	
5	942336	2	Spring washer	
6	955826	2	Nut	
7	941907	2	Spring washer	
8	821134	1	Lever	
9	842546	1	Attaching plate	
10	955856	2	Nut	
11	941906	1	Spring washer	
12	419416	2		
13	819809	1	Tension spring	
14	842541	1	Link rod	
15	955844	1	Nut	
16	941905	1	Spring washer	
17	664822	1	Lock spring	(678146)
18	76614	2	Rubber collar	
19	955272	1	Screw	