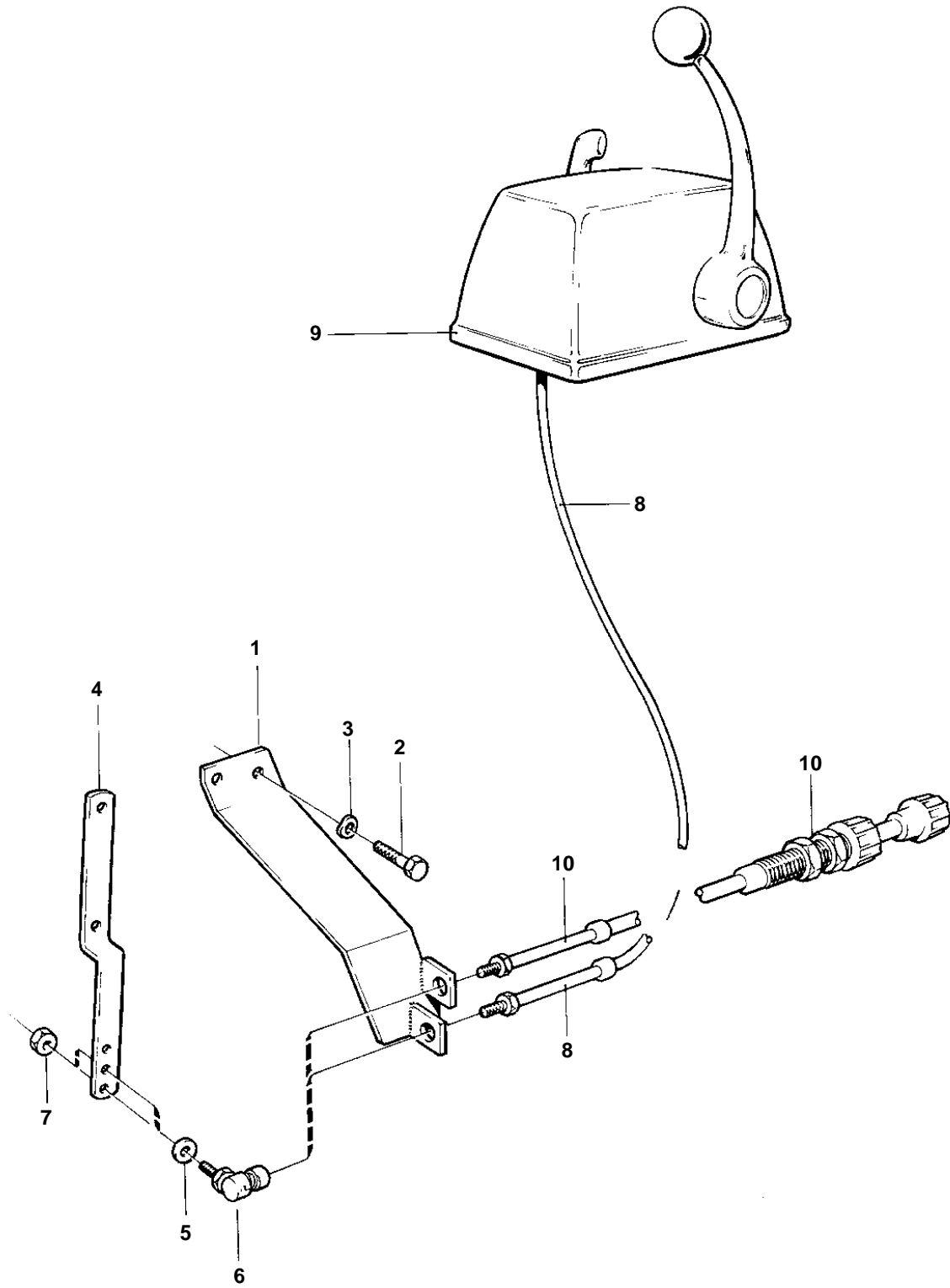


MD120A, TMD120A, TAMD120A, TAMD120B



4476

MD120A,TMD120A,TAMD120A,TAMD120B

REF	PART NO.	QTY	DESCRIPTION	NOTES
1	842821	1	Control attachment	FOR ENGINE WITH WATER COLD EXHAUST MANIFOLD.
2	940115	2	Screw	FOR ENGINE WITH WATER COLD EXHAUST MANIFOLD.
3	942336	2	Spring washer	FOR ENGINE WITH WATER COLD EXHAUST MANIFOLD.
4	823695	1	Control arm	FOR ENGINE WITH WATER COLD EXHAUST MANIFOLD.
5	955892	2	Washer	FOR ENGINE WITH WATER COLD EXHAUST MANIFOLD.
6	842782	2	Ball joint	FOR ENGINE WITH WATER COLD EXHAUST MANIFOLD.
7	955856	2	Nut	FOR ENGINE WITH WATER COLD EXHAUST MANIFOLD.
8			CONTROL CABLE	SEE GROUP 9
9	842781		Control	
10	842820	1	Control	FOR ENGINE WITH WATER COLD EXHAUST MANIFOLD.
	842820	1	Control	FOR ENGINE WITH WATER COLD EXHAUST MANIFOLD.