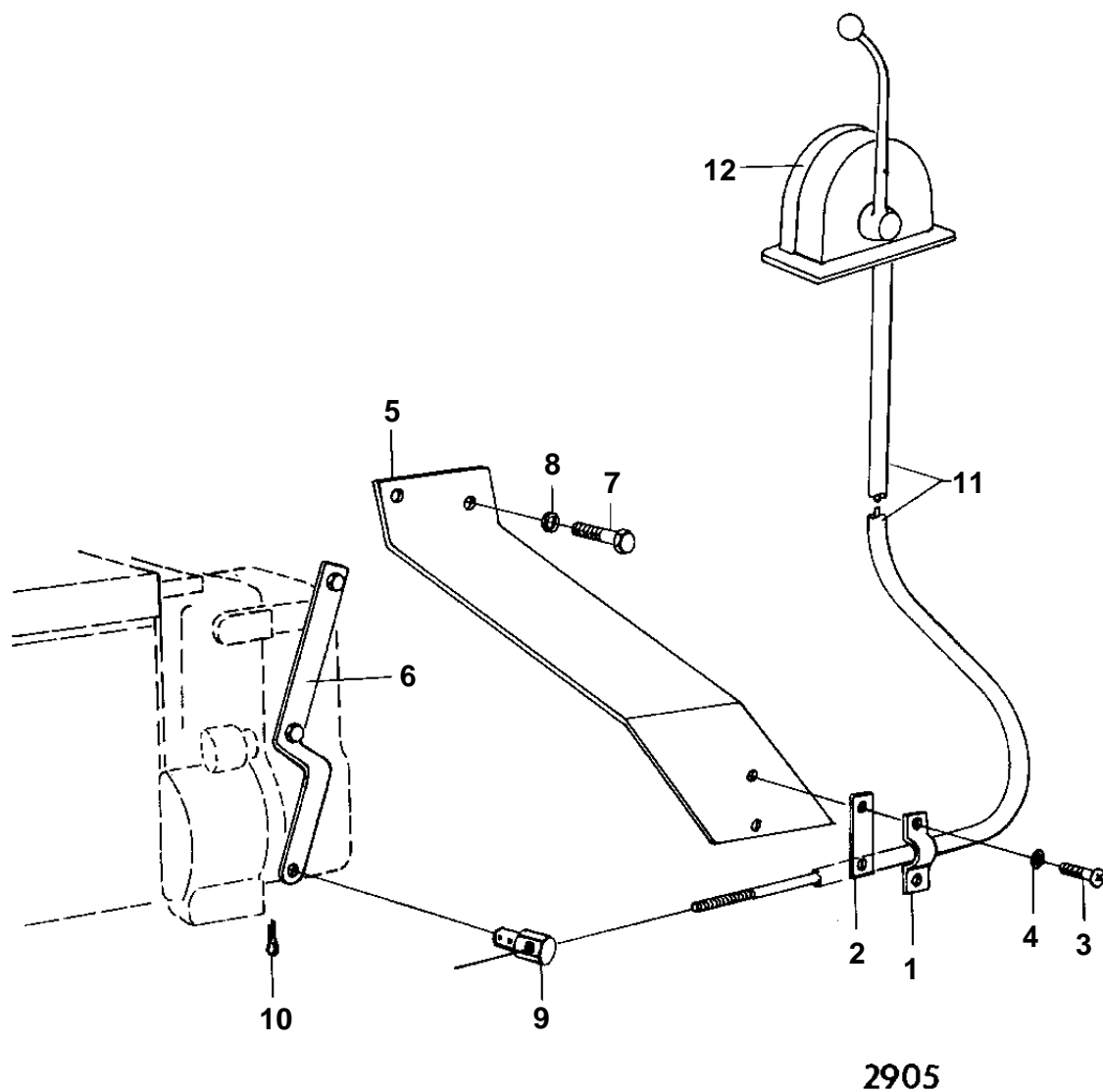


MD120A,TMD120A,TAMD120A,TAMD120B



MD120A,TMD120A,TAMD120A,TAMD120B

REF	PART NO.	QTY	DESCRIPTION	NOTES
1	819067	1	Brace	
2	819068	1	Washer	
3	950021	2	Screw	
4	941905	2	Spring washer	
5	823696	1	Bracket	
6	823695	1	Control arm	
7	940114	2	Screw	
8	942336	2	Spring washer	
9	804312	1	Cube	
10	17276	1	Cotter pin	
11			CONTROL CABLE	SEE GROUP 9
			CONTROL	SEE GROUP 9