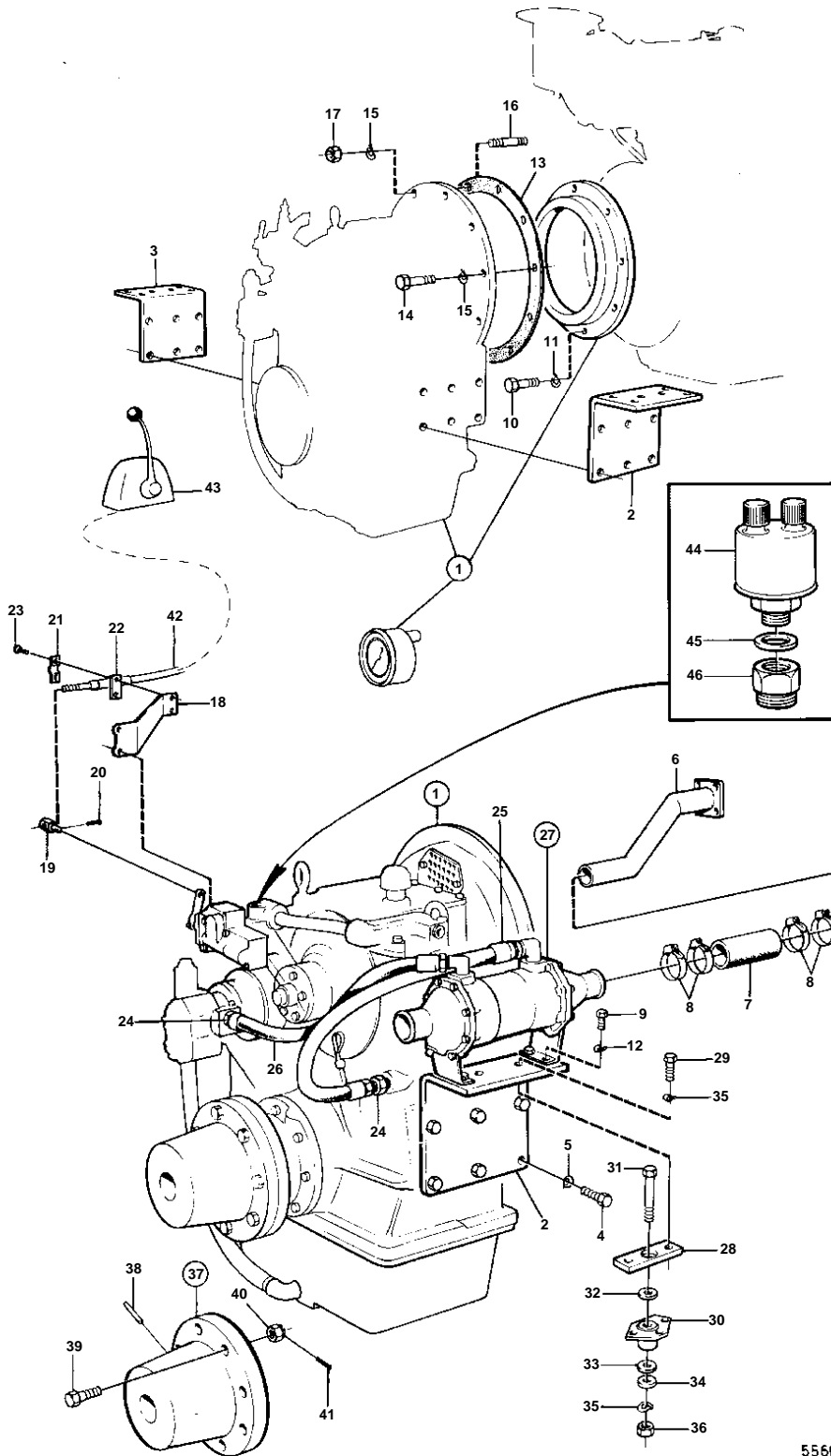


TAMD120B



5566

TAMD120B

REF	PART NO.	QTY	DESCRIPTION	SEE SEC.	NOTES
1		1	REV. GEAR, RATIO 1,5:1		
		1	REV. GEAR, RATIO 2:1		MG514 MOXXXX/39899-
		1	REV. GEAR, RATIO 3:1		MG514
		1	REV. GEAR, RATIO 3,5:1		MG514 MOXXXX/39899-
		1	REV. GEAR, RATIO 4,1:1		MG514
		1	REV. GEAR, RATIO 4,5:1		MG514
		1	REV. GEAR, RATIO 5,16:1		MG514
		1	REV. GEAR, RATIO 6:1		MG514 MOXXXX/39899-
			COMPONENTS		
2	824311	1	Bracket		REPLACED BY 831175 + 17276 + 804312 + 819067 + 819068 + 940191 + 2EA 950021.
	837088	1	Bracket		WHEN EXCHANGING REVERSE GEAR MS3B TO MS3C.
3	836123	1	Bracket		REPLACED BY 831175 + 17276 + 804312 + 819067 + 819068 + 940191 + 2EA 950021.
	837068	1	Bracket		WHEN EXCHANGING REVERSE GEAR MS3B TO MS3C.
4	955601	12	Screw		
5	941914	12	Spring washer		
6	844762	1	Coolant pipe		SEE GROUP 2B
7	943372	X	Rubber hose		L = 190 MM SEE GROUP 2B
8	943480	4	Clamp		SEE GROUP 2B
9	940098	4	Screw		
10	955561	8	Screw		
11	940280	8	Spring washer		
12	942336	4	Spring washer		
13	800314	1	Gasket		
14	940134	10	Screw		
15	941909	12	Spring washer		
16	953290	2	Stud		
17	940157	2	Nut		
18	836117	1	Bracket		
19	813674	1	Cube		
20	907824	1	Cotter pin		
21	819067	1	Brace		
22	819068	1	Washer		
23	950021	2	Screw		
24	949707	2	Nipple		
25	824487	1	Oil hose		
26	836476	1	Hose		
27	837099	1	Oil cooler		
				04A-0750	
28	824374	2	Intermediate plate		
29	955589	4	Screw		
30	836961	2	Rubber element		
31	959827	2	Screw		
32	836325	2	Washer		
33	836963	2	Rubber washer		
34	836962	2	Washer		
35	941912	6	Spring washer		
36	955829	2	Nut		
37	837093	1	Companion flange		WHEN EXCHANGING REVERSE GEAR MS3B TO MS3C.. 1" HOLE FOR PROPELLER SHAFT.
38	907661	2	Pin		
39	955772	8	Screw		
40	955889	8	Castle nut		
41	907881	8	Cotter pin		(907877)
42			CONTROL CABLE		SEE GROUP 9
43			CONTROL		SEE GROUP 9
44	837781	1	Pressure sensor		SEE GROUP 3
45	957181	1	Gasket		SEE GROUP 3
46	180161	1	Nipple		