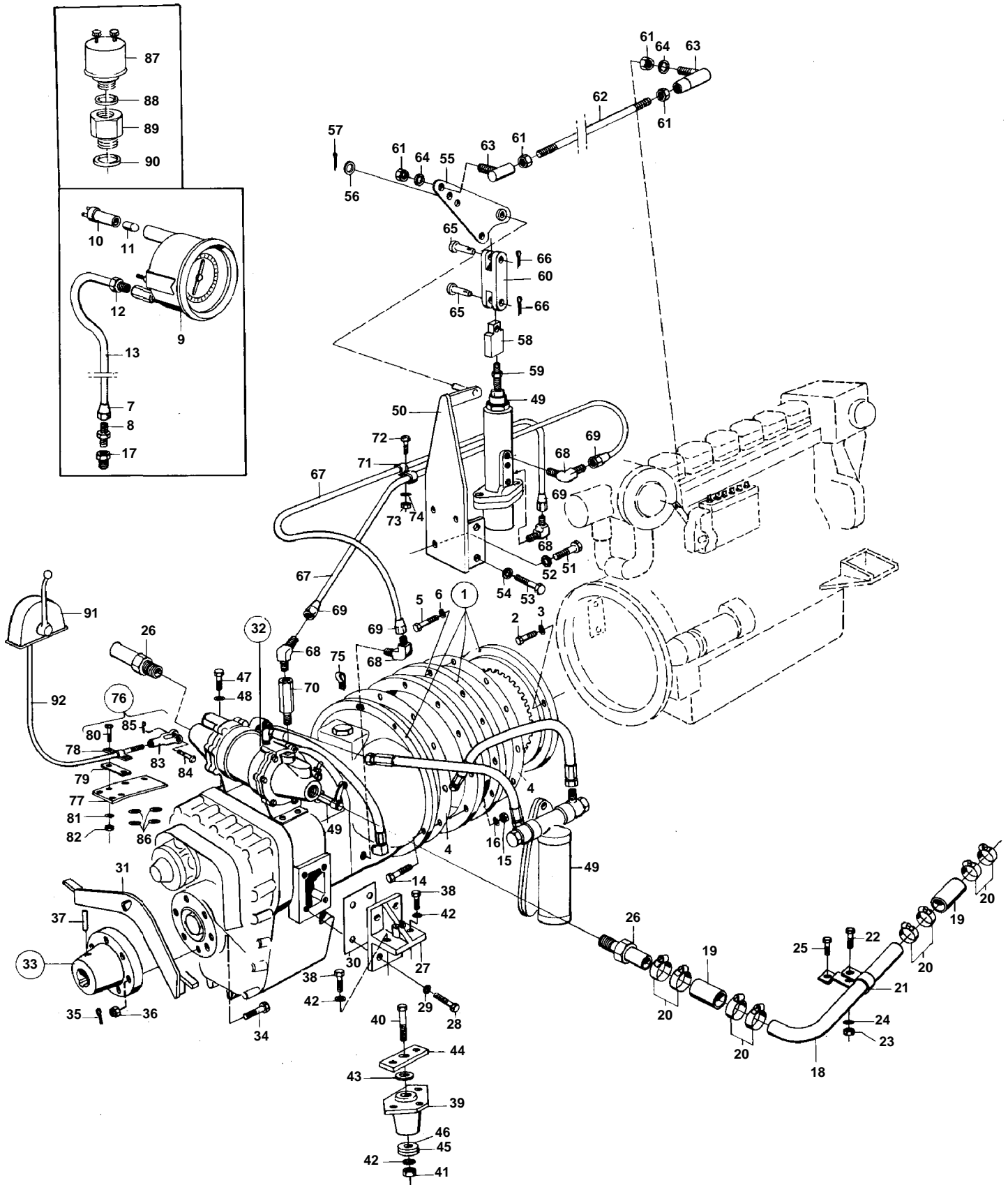


MD120A, TMD120A



5046

MD120A,TMD120A

REF	PART NO.	QTY	DESCRIPTION	SEE SEC.	NOTES
1		1	REV.GEAR, RATIO 2:1		DRILLED 30MM.. REPLACED BY 1EA 875671, 1EA 851265, 1EA 851263, 2EA 941807, 1EA 875531, 1EA 839459, 1EA 940097, 1EA 955537.
		1	REV.GEAR, RATIO 2:1		DRILLED 30MM.. REPLACED BY 1EA 875671, 1EA 851265, 1EA 851263, 2EA 941807, 1EA 875531, 1EA 839459, 1EA 940097, 1EA 955537.. EARLY TYPE REPLACED BY 1EA 832598, 2EA 959438.. FOR REVERSE GEAR 829458.
					MRF 700 LR MK3
		1	REV.GEAR, RATIO 2:1		MRF 700 LR MK3. DRILLED 30MM.. EARLY TYPE REPLACED BY 1EA 832598, 2EA 959438.. EARLY TYPE STEERING YOKE AND LEVER WITHOUT SPLINES, REPLACED BY 1EA 839377, 1EA 832587, 1EA 832586, 1EA 940162
		1	REV.GEAR, RATIO 2:1		MRF 700 LR MK3. REPLACED BY 1EA 875671, 1EA 851265, 1EA 851263, 2EA 941807, 1EA 875531, 1EA 839459, 1EA 940097, 1EA 955537.
		1	REV.GEAR, RATIO 2:1		REPLACED BY 1EA 875671, 1EA 851265, 1EA 851263, 2EA 941807, 1EA 875531, 1EA 839459, 1EA 940097, 1EA 955537.. EARLY TYPE REPLACED BY 1EA 832598, 2EA 959438.. FOR REVERSE GEAR 829458.
					MRF 700 LR MK3
		1	REV.GEAR, RATIO 2:1		MRF 700 LR MK3. EARLY TYPE REPLACED BY 1EA 832598, 2EA 959438.. EARLY TYPE STEERING YOKE AND LEVER WITHOUT SPLINES, REPLACED BY 1EA 839377, 1EA 832587, 1EA 832586, 1EA 940162
		1	REV.GEAR, RATIO 3:1		MRF 700 LR MK3. DRILLED 30MM.. REPLACED BY 1EA 875671, 1EA 851265, 1EA 851263, 2EA 941807, 1EA 875531, 1EA 839459, 1EA 940097, 1EA 955537.
		1	REV.GEAR, RATIO 3:1		MRF 700 LR MK3. DRILLED 30MM.. EARLY TYPE REPLACED BY 1EA 832598, 2EA 959438.. FOR REVERSE GEAR 829458.
		1	REV.GEAR, RATIO 3:1		MRF 700 LR MK3. REPLACED BY 1EA 875671, 1EA 851265, 1EA 851263, 2EA 941807, 1EA 875531, 1EA 839459, 1EA 940097, 1EA 955537.
		1	REV.GEAR, RATIO 3:1		REPLACED BY 1EA 875671, 1EA 851265, 1EA 851263, 2EA 941807, 1EA 875531, 1EA 839459, 1EA 940097, 1EA 955537.. EARLY TYPE REPLACED BY 1EA 832598, 2EA 959438.. FOR REVERSE GEAR 829458.
					MRF LR MK3
		1	REV.GEAR, RATIO 4,78:1		MRF 700 LR MK3. DRILLED 30MM.. REPLACED BY 1EA 875671, 1EA 851265, 1EA 851263, 2EA 941807, 1EA 875531, 1EA 839459, 1EA 940097, 1EA 955537.. EARLY TYPE REPLACED BY 1EA 832598, 2EA 959438.
		1	REV.GEAR, RATIO 4,78:1		DRILLED 30MM.. REPLACED BY 1EA 875671, 1EA 851265, 1EA 851263, 2EA 941807, 1EA 875531, 1EA 839459, 1EA 940097, 1EA 955537.. EARLY TYPE REPLACED BY 1EA 832598, 2EA 959438.. FOR REVERSE GEAR 829458.
					MRF 700 LR MK3
		1	REV.GEAR, RATIO 4,78:1		MRF 700 LR MK3. REPLACED BY 1EA 875671, 1EA 851265, 1EA 851263, 2EA 941807, 1EA 875531, 1EA 839459, 1EA 940097, 1EA 955537.. EARLY TYPE REPLACED BY 1EA 832598, 2EA 959438.
		1	REV.GEAR, RATIO 4,78:1		REPLACED BY 1EA 875671, 1EA 851265, 1EA 851263, 2EA 941807, 1EA 875531, 1EA 839459, 1EA 940097, 1EA 955537.. EARLY TYPE REPLACED BY 1EA 832598, 2EA 959438.. FOR REVERSE GEAR 829458.
					MRF 700 LR MK3
		1	REV.GEAR, RATIO 2:1		MRF 700. DRILLED 30MM.. EARLY TYPE REPLACED BY 1EA 832598, 2EA 959438.
		1	REV.GEAR, RATIO 2:1		MRF 700. EARLY TYPE REPLACED BY 1EA 832598, 2EA 959438.
		1	REV.GEAR, RATIO 3:1		MRF 700. DRILLED 30MM.. EARLY TYPE REPLACED BY 1EA 832598, 2EA 959438.
		1	REV.GEAR, RATIO 3:1		MRF 700. EARLY TYPE REPLACED BY 1EA 832598, 2EA 959438.

MD120A,TMD120A

REF	PART NO.	QTY	DESCRIPTION	SEE SEC.	NOTES
1		1	REV.GEAR, RATIO 1,5:1		MRF 700. DRILLED 30MM.. EARLY TYPE REPLACED BY 1EA 832598, 2EA 959438.
		1	REV.GEAR, RATIO 1,5:1		MRF 700. EARLY TYPE REPLACED BY 1EA 832598, 2EA 959438.
			COMPONENTS		
2	940134	6	Screw		
3	941909	6	Spring washer		
4	800314	2	Gasket		
5	940160	12	Screw		
6	941909	12	Spring washer		
7	954320	1	Nut		
8	954334	1	Fitting		
9	827236	1	Oil pressure gauge		
10	808175	1	Bulb socket		
11	182059	1	Bulb		24V
12	87698	1	Nipple		
13	954303	X	Copper tube		L = 5000 MM
14	940160	12	Screw		
15	940157	12	Nut		
16	941909	12	Spring washer		
17	180002	1	Fitting		FOR MRF 700 LR MK3
18	824438	1	Tube		FOR MRF 700
	824451	1	Tube		
19	943370	X	Rubber hose		L = 95 MM
20	943478	8	Clamp		(951794)
21	824419	1	Clamp		
22	955524	1	Screw		
23	955826	1	Nut		
24	941907	1	Spring washer		
25	955588	1	Screw		
26	942315	2	Hose attachment		
27	815731	2	Bracket		FOR MRF 700 LR MK3
	824367	2	Bracket		EARLY TYPE STEERING YOKE AND LEVER WITH SPLINES.
28	955589	8	Screw		FOR MRF 700 LR MK3
29	955953	8	Lock washer		FOR MRF 700 LR MK3
30	817654	2	Gasket		FOR MRF 700 LR MK3
31	821872	1			FOR MRF 700
32	821082	1	Oil cooler		
				04A-0650	
33	820933	1	Clutch flange		FOR MRF 700
	820934	1	Clutch flange		FOR MRF 700 LR MK3
34	955696	6	Screw		FOR MRF 700
	955739	6	Screw		FOR MRF 700 LR MK3
35	907834	6	Cotter pin		FOR MRF 700
	907861	6	Cotter pin		FOR MRF 700 LR MK3
36	955883	6	Nut		FOR MRF 700
	955886	6	Nut		FOR MRF 700 LR MK3
37	17186	1	Pin		FOR MRF 700
	907662	2	Pin		FOR MRF 700 LR MK3
38	955589	4	Screw		EARLY TYPE STEERING YOKE AND LEVER WITH SPLINES.
39	836961	2	Rubber element		EARLY TYPE STEERING YOKE AND LEVER WITH SPLINES.
40	959827	2	Screw		EARLY TYPE STEERING YOKE AND LEVER WITH SPLINES.
41	955829	2	Nut		EARLY TYPE STEERING YOKE AND LEVER WITH SPLINES.
42	941912	6	Spring washer		EARLY TYPE STEERING YOKE AND LEVER WITH SPLINES.
43	836325	2	Washer		EARLY TYPE STEERING YOKE AND LEVER WITH SPLINES.
44	824371	2			EARLY TYPE STEERING YOKE AND LEVER WITH SPLINES.
45	836962	2	Washer		EARLY TYPE STEERING YOKE AND LEVER WITH SPLINES.
46	836963	2	Rubber washer		EARLY TYPE STEERING YOKE AND LEVER WITH SPLINES.
47	101253	4	Screw		
	101253	2	Screw		LATE TYPE WITH GROUND CABLE ON STEERING LEVER.
	102803	2			LATE TYPE WITH GROUND CABLE ON STEERING LEVER.
48	942336	4	Spring washer		
49	815734	1			

MD120A,TMD120A

REF	PART NO.	QTY	DESCRIPTION	SEE SEC.	NOTES
49			SEQUENT CONTROL		
50	821145	1	Bracket		SPEC 867376 MO1437--SPEC 867379 MO2208-
51	955534	3	Screw		SPEC 867376 MO1437--SPEC 867379 MO2208-
52	942336	3	Spring washer		SPEC 867376 MO1437--SPEC 867379 MO2208-
53	101152	2	Screw		SPEC 867376 MO1437--SPEC 867379 MO2208-
54	955949	2	Lock washer		SPEC 867376 MO1437--SPEC 867379 MO2208-
55	809489	1	Lever		SPEC 867376 MO1437--SPEC 867379 MO2208-
56	955896	1	Washer		SPEC 867376 MO1437--SPEC 867379 MO2208-
57	907849	1	Cotter pin		SPEC 867376 MO1437--SPEC 867379 MO2208-
58	802808	1			SPEC 867376 MO1437--SPEC 867379 MO2208-
59	19874	1	Nut		SPEC 867376 MO1437--SPEC 867379 MO2208-
60	803677	1			SPEC 867376 MO1437--SPEC 867379 MO2208-
61	955846	4	Nut		SPEC 867376 MO1437--SPEC 867379 MO2208-
62	953972	1	Control rod		SPEC 867376 MO1437--SPEC 867379 MO2208-
63	10844	2	Ball joint		SPEC 867376 MO1437--SPEC 867379 MO2208-
64	941906	2	Spring washer		SPEC 867376 MO1437--SPEC 867379 MO2208-
65	913112	2	Bolt		SPEC 867376 MO1437--SPEC 867379 MO2208-
66	907824	2	Cotter pin		SPEC 867376 MO1437--SPEC 867379 MO2208-
67	954316	X	Tube		L = 2500 MM. SPEC 867376 MO1437--SPEC 867379 MO2208-
68	954344	4	Nipple		SPEC 867376 MO1437--SPEC 867379 MO2208-
69	954323	4	Cap nut		SPEC 867376 MO1437--SPEC 867379 MO2208-
70	827635	1	Nipple		SPEC 867376 MO1437--SPEC 867379 MO2208-
71	404279	4	Clamp		SPEC 867376 MO1437--SPEC 867379 MO2208-
72	950048	2	Screw		SPEC 867376 MO1437--SPEC 867379 MO2208-
73	955825	2	Nut		SPEC 867376 MO1437--SPEC 867379 MO2208-
74	941906	2	Spring washer		SPEC 867376 MO1437--SPEC 867379 MO2208-
75	18319	2	Clamp		SPEC 867376 MO1437--SPEC 867379 MO2208-
76	823956	1	Bracket		
77		1	· BRACKET		
78	819067	1	· Brace		
79	819068	1	· Washer		
80	192010	2	· Screw		
81	955946	2	· Lock washer		
82	955844	2	· Nut		
83	836472	1	· Control fork		
84		1	· · CLEVIS PIN		
85	907819	1	· Cotter pin		
86	940097	4	Washer		
87	837781	1	Pressure sensor		SEE GROUP 3
88	957181	1	Gasket		SEE GROUP 3
89	842714	1	Nipple		
90	957180	1	Gasket		
91			CONTROL		SEE GROUP 9
92			CONTROL CABLE		SEE GROUP 9