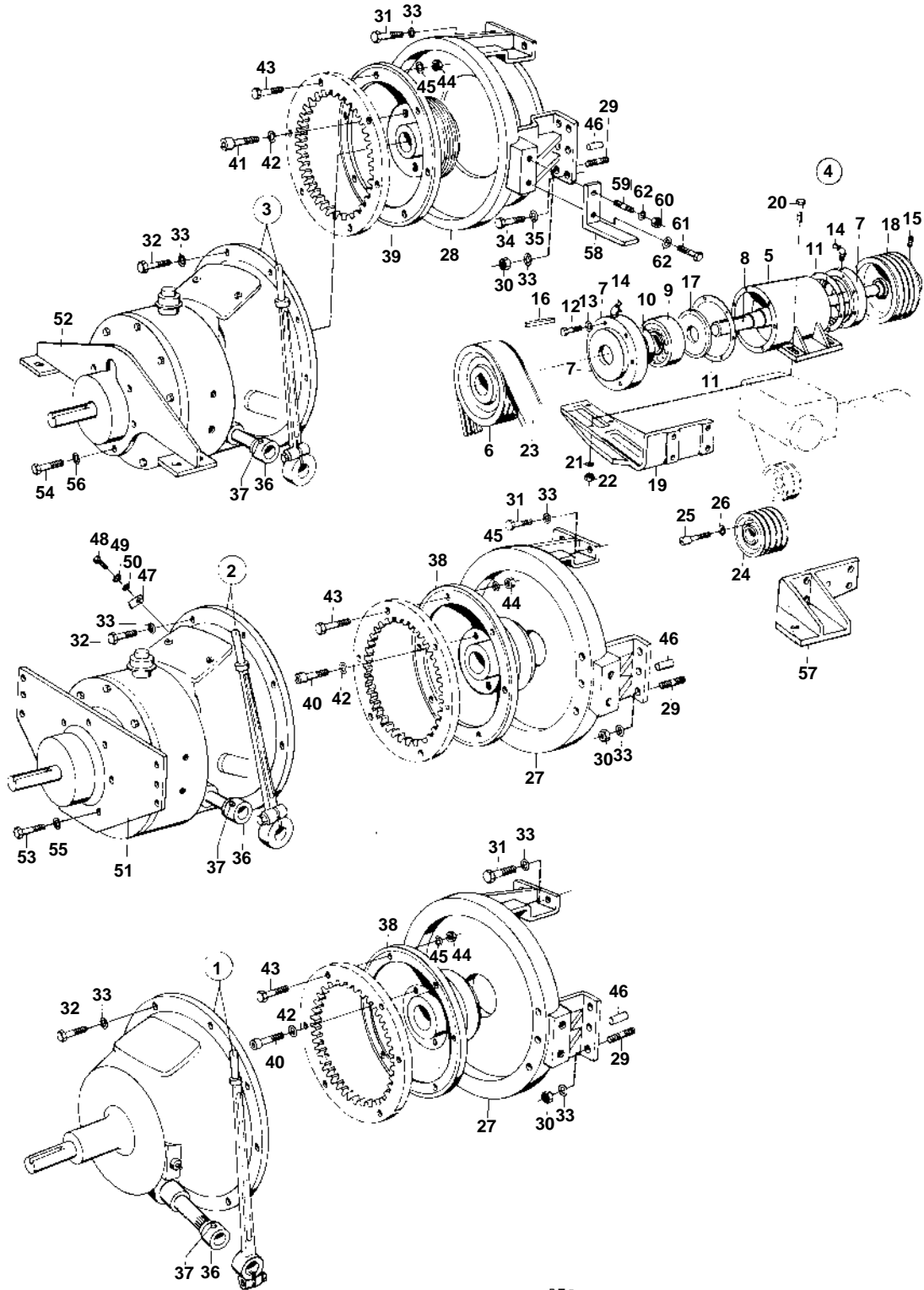


MD120A, TMD120A, TAMD120A, TAMD120B



3785

MD120A,TMD120A,TAMD120A,TAMD120B

REF	PART NO.	QTY	DESCRIPTION	NOTES
1	815263	1	Clutch COMPONENTS	SEE GROUP 4D
	820802	1	Clutch COMPONENTS	ROCKFORD BW 10" SEE GROUP 4D
2	815256	1	, RATIO 3,6:1 COMPONENTS	TWIN DISC 8"
	815261	1	Reduction gear, RATIO 2,8:1 COMPONENTS	ROCKFORD BW 8". DRILLED 30MM. SEE GROUP 4D
	820803	1	Friction clutch, RATIO 2,8:1 COMPONENTS	ROCKFORD BW 10" SEE GROUP 4D
3	837494	1	Clutch, RATIO 2,95:1 COMPONENTS	ROCKFORD BW 11,5" SEE GROUP 4D
	838000	1	Clutch, RATIO 1:1 COMPONENTS	TWIN DISC SL211 11,5"
	845705	1	Clutch, RATIO 1:1 COMPONENTS	TWIN DISC SP211 11,5"
4	837463	1	Power take-off	
5	837438	1	· Bearing housing	
6	837467	1	· Pulley	
7	837439	2	· Cover	
8	837465	1	· Shaft	
9	183719	2	· Roller bearing	
10	958876	2	· Sealing ring	
11	837440	2	· Gasket	
12	955513	12	· Screw	
13	941906	12	· Spring washer	
14	914169	2	· Lubricating nipple	
15	961206	1	· Screw	
16	909350	1	· Key	L = 140 MM
	963372	1	· Key	L = 180 MM
17	946769	2	· Seal	
18			· EXTRA PULLEY	SEE GROUP 9
19	837470	1	Bracket	SEE GROUP 2A
20	100319	4	Screw	
21	955896	4	Washer	
22	940157	4	Nut	
23	837466	1	V-belt	
24	837476	1	Pulley	FOR EARLY TYPE OF STEERING SYSTEM.
25	959188	12	Screw	FOR EARLY TYPE OF STEERING SYSTEM.
26	941909	12	Spring washer	FOR EARLY TYPE OF STEERING SYSTEM.
27	823121	1	Bracket	FOR 8", 10"
28	837468	1	Bell housing	FOR 11,5"
29	953282	6	Stud	
30	955827	6	Nut	
31	955535	2	Screw	
32	940115	12	Screw	
33	942336	20	Spring washer	
34	940115	4	Screw	
35	942336	4	Spring washer	
36	803612	2	Stop ring	
37	915590	4	Set screw	
38	823081	1	Companion flange	FOR LATE TYPE OF STEERING SYSTEM.
	842887	1	Companion flange	TAMD120B. FOR LATE TYPE OF STEERING SYSTEM.
	823080	1	Companion flange	REPLACED BY 1EA 832941 1EA 832439.
	842889	1	Companion flange	TAMD120B. REPLACED BY 1EA 832941 1EA 832439.
	823079	1	Companion flange	REPLACED BY 1EA 831619, 1EA 832941, 1EA 11013, 1EA 958860 , 2EA 914533.
	842888	1	Companion flange	TAMD120B. REPLACED BY 1EA 831619, 1EA 832941, 1EA 11013, 1EA 958860 , 2EA 914533.
39	842038	1	Companion flange	
40	955555	12	Screw	FOR LATE TYPE OF STEERING SYSTEM.
	956610	12	Screw	REPLACED BY 1EA 832941 1EA 832439.. REPLACED BY 1EA 831619, 1EA 832941, 1EA 11013, 1EA 958860 , 2EA 914533.

MD120A,TMD120A,TAMD120A,TAMD120B

REF	PART NO.	QTY	DESCRIPTION	NOTES
41	959188	12	Screw	
42	941907	12	Spring washer	
43	803672	6	Screw	FOR LATE TYPE OF STEERING SYSTEM.
	955536	8	Screw	
44	955827	6	Nut	FOR LATE TYPE OF STEERING SYSTEM.
	955827	8	Nut	MO-XXXX/15366
	955827	8	Nut	TAMD120B
45	942336	6	Spring washer	FOR LATE TYPE OF STEERING SYSTEM.
	955950	6	Lock washer	TAMD120B. FOR LATE TYPE OF STEERING SYSTEM.
	942336	8	Spring washer	MO-XXXX/15366
	955950	8	Lock washer	TAMD120B. REPLACED BY 1EA 832941 1EA 832439.. REPLACED BY 1EA 831619, 1EA 832941, 1EA 11013, 1EA 958860 , 2EA 914533.
46	941510	2	Pin	
47	814927	1	Cover	USED WHEN SEPARATE EXHAUST OUTLET AND WATER INTAKE IS INSTALLED.
48	950021	1	Screw	USED WHEN SEPARATE EXHAUST OUTLET AND WATER INTAKE IS INSTALLED.
49	941905	1	Spring washer	USED WHEN SEPARATE EXHAUST OUTLET AND WATER INTAKE IS INSTALLED.
50	940090	1	Washer	USED WHEN SEPARATE EXHAUST OUTLET AND WATER INTAKE IS INSTALLED.
51	815454	1	Attaching plate	USED WHEN SEPARATE EXHAUST OUTLET AND WATER INTAKE IS INSTALLED.
	820682	1	Bracket	REPLACED BY 1EA 831619, 1EA 832941, 1EA 11013, 1EA 958860 , 2EA 914533.
	803554	1	Attaching plate	FOR AQ DRIVE UNIT 280.
52	837413	1	Support	REPLACED BY 1EA 850046, 1EA 850041.
53	955525	8	Screw	USED WHEN SEPARATE EXHAUST OUTLET AND WATER INTAKE IS INSTALLED.
	940135	8	Screw	REPLACED BY 1EA 831619, 1EA 832941, 1EA 11013, 1EA 958860 , 2EA 914533.
	940115	8	Screw	FOR AQ DRIVE UNIT 280.
54	955559	6	Screw	REPLACED BY 1EA 850046, 1EA 850041.
55	941907	8	Spring washer	REPLACED BY 1EA 831619, 1EA 832941, 1EA 11013, 1EA 958860 , 2EA 914533.. USED WHEN SEPARATE EXHAUST OUTLET AND WATER INTAKE IS INSTALLED.
	942336	8	Spring washer	FOR AQ DRIVE UNIT 280.
56	940280	6	Spring washer	REPLACED BY 1EA 850046, 1EA 850041.
57	837477	1	Bracket	P SEE GROUP 2A. REPLACED BY 1EA 875671 1EA 851265 1EA 851263 2EA 941807.
	837587	1	Bracket	S.B SEE GROUP 2A. REPLACED BY 1EA 875671 1EA 851265 1EA 851263 2EA 941807.
58	837464	2	Bracket	
59	953257	2	Stud	
60	955835	2	Nut	
61	940114	2	Screw	
62	942336	4	Spring washer	