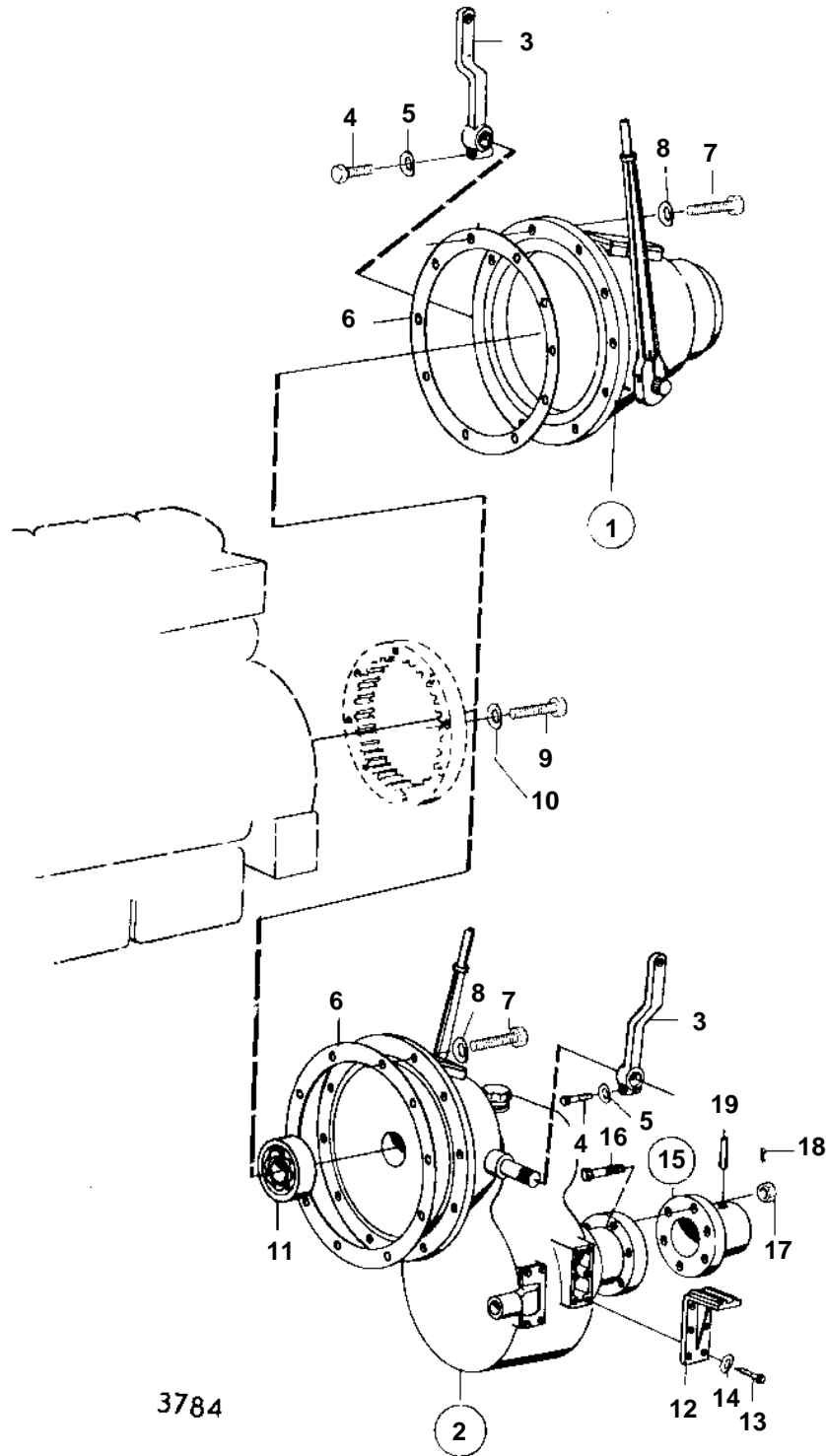


MD120A, TMD120A, TAMD120A, TAMD120B



MD120A,TMD120A,TAMD120A,TAMD120B

REF	PART NO.	QTY	DESCRIPTION	NOTES
1	821366	1	Clutch	
				SP = 214-P1 SPEC 31608
			COMPONENTS	SEE GROUP 4D
	845989	1		SPEC 867094, 867122.
				BORG O BECK 214
			COMPONENTS	
	823222	1		REPLACED BY 1EA 875672 1EA 851265 1EA 851263 2EA 941807.
			COMPONENTS	
	821364	1		TWIN DISC 14". FOR 1/2"- 13UNC SCREW.
				SP114P1-X9643F
			COMPONENTS	SPEC 31606
	846730	1	Clutch	BORG O BECK 314
			COMPONENTS	SEE GROUP 4D
2	815221	1	Clutch	RATIO 4,7:1. DRILLED 30MM.
			COMPONENTS	SEE GROUP 4D
	815222	1		RATIO 4,4:1 CLASS DNV
			COMPONENTS	SEE GROUP 4D
3	31143	1	Lever	
4	959644	1	Screw	
5	941908	1	Spring washer	
6	800314	1	Gasket	
7	940160	12	Screw	
8	941909	12	Spring washer	
9	955562	8	Screw	
10	940280	8	Spring washer	
11	847324	1	Ball bearing	(815476)
12	804931	2	Bracket	
13	955340	12	Screw	
14	940280	12	Spring washer	
15	820935	1	Clutch flange	
16	955753	6	Screw	
17	955887	6	Nut	
18	907861	6	Cotter pin	
19	17186	2	Pin	