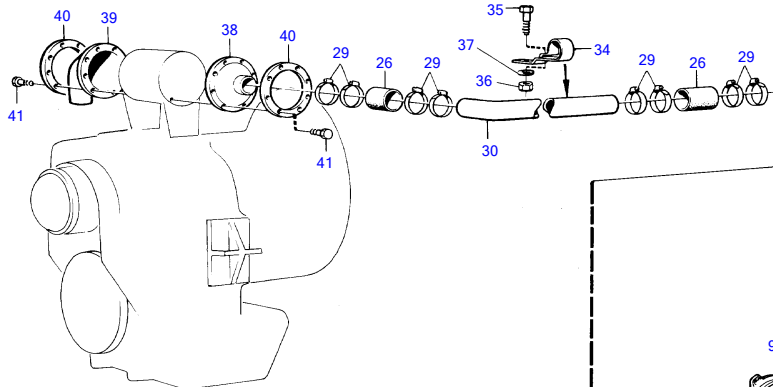
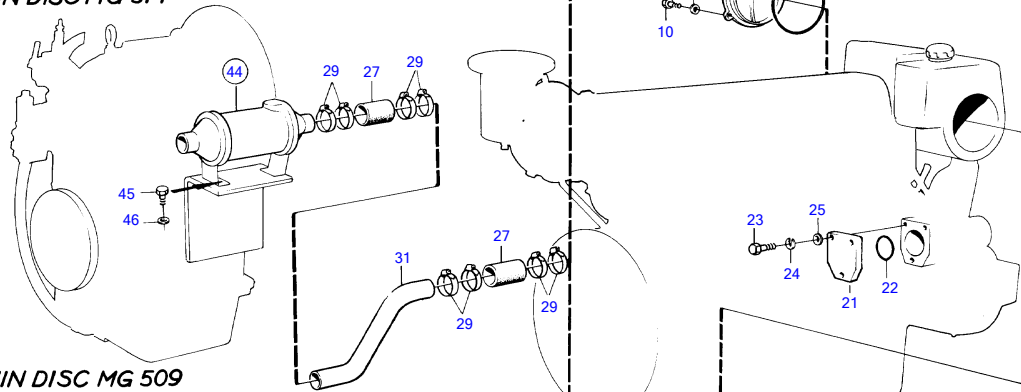


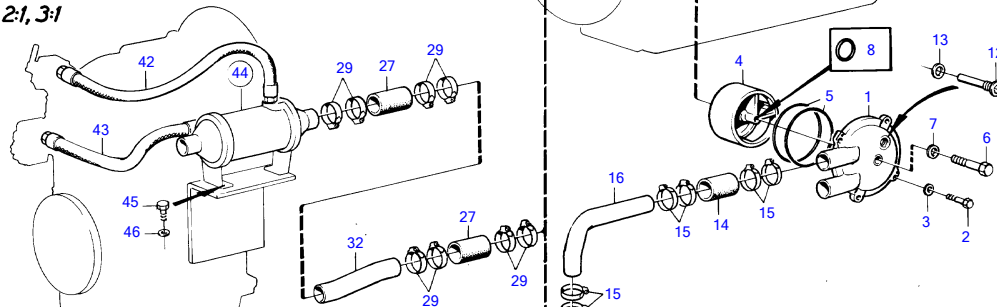
SCG MRF 700
SCG MRF 700 LR MK III, MK IV



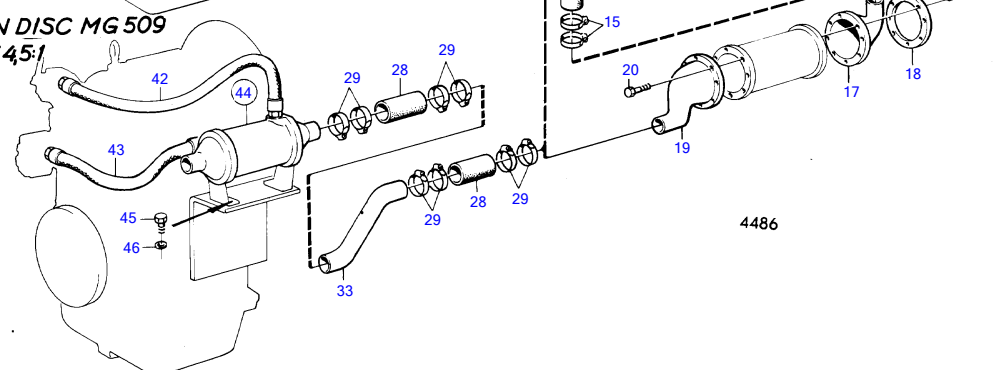
TWIN DISC MG 514



TWIN DISC MG 509
UTV 2:1, 3:1



TWIN DISC MG 509
UTV 4.5:1



4486

REF	PART NO.	QTY	DESCRIPTION	NOTES
1	(822545)	1	Cardboard tube	Obsolete part
2	955536	4	Hexagon screw	
3	942336	4	Spring washer	
4	(823688)	1	Housing	Obsolete part
5	925278	3	O-ring	
6	955598	1	Hexagon screw	
7	941912	1	Spring washer	
8	955977	1	O-ring	
9	(823689)	1	End cover	Obsolete part
10	955535	4	Hexagon screw	
11	942336	4	Spring washer	
12	823661	3	Zinc anode	(823661)
13	836169	3	Gasket	
14	943372	X	Rubber hose	L=110mm (952980)
15	943480	8	Hose clamp	(951797)
16	(823690)	1	Coolant pipe	Obsolete part
17	(823803)	1	End cover	Obsolete part
18	823802	1	Tensioning ring	
19	(824454)	1	End cover	Obsolete part
20	955514	16	Hexagon screw	
21	420178	1	Cover	
22	413619	1	Gasket	
23	955576	3	Hexagon screw	
24	941911	3	Spring washer	
25	955899	3	Washer	
26	943372	X	Rubber hose	L=70mm (952980)
27	943372	X	Rubber hose	MD21A, MD21B for separate water outlet., L=150mm (952980)
28	943372	X	Rubber hose	L=170mm
29	943480	8	Hose clamp	
30	(824452)	1	Coolant pipe	SCG MRF 700, Obsolete part
	(824450)	1	Tube	SCG MRF 700 LR MK3, Obsolete part
31	(836115)	1	Tube	Obsolete part
32	(837109)	1	Coolant pipe	Obsolete part
33	(837117)	1	Coolant pipe	Obsolete part
34	(824433)	1	Clamp	Obsolete part
35	940159	1	Hexagon screw	
36	955826	1	Hexagon nut	
37	941907	1	Spring washer	
38	(823813)	1	End cover	Replaced by 828412., Obsolete part
	836888	1	End cover	For SCG MRF700 MK4
39	(823803)	1	End cover	Replaced by 828412., Obsolete part
	836888	1	End cover	For SCG MRF700 MK4
40	823802	2	Tensioning ring	Replaced by 828412.
41	940117	16	Hexagon screw	Replaced by 828412.
42	(837119)	1	Hose	Obsolete part, L=600mm
43	837095	1	Oil hose	L=695mm
44	837099	1	Oil cooler	
			• components	See group 4A
45	940098	4	Hexagon screw	
46	942336	4	Spring washer	