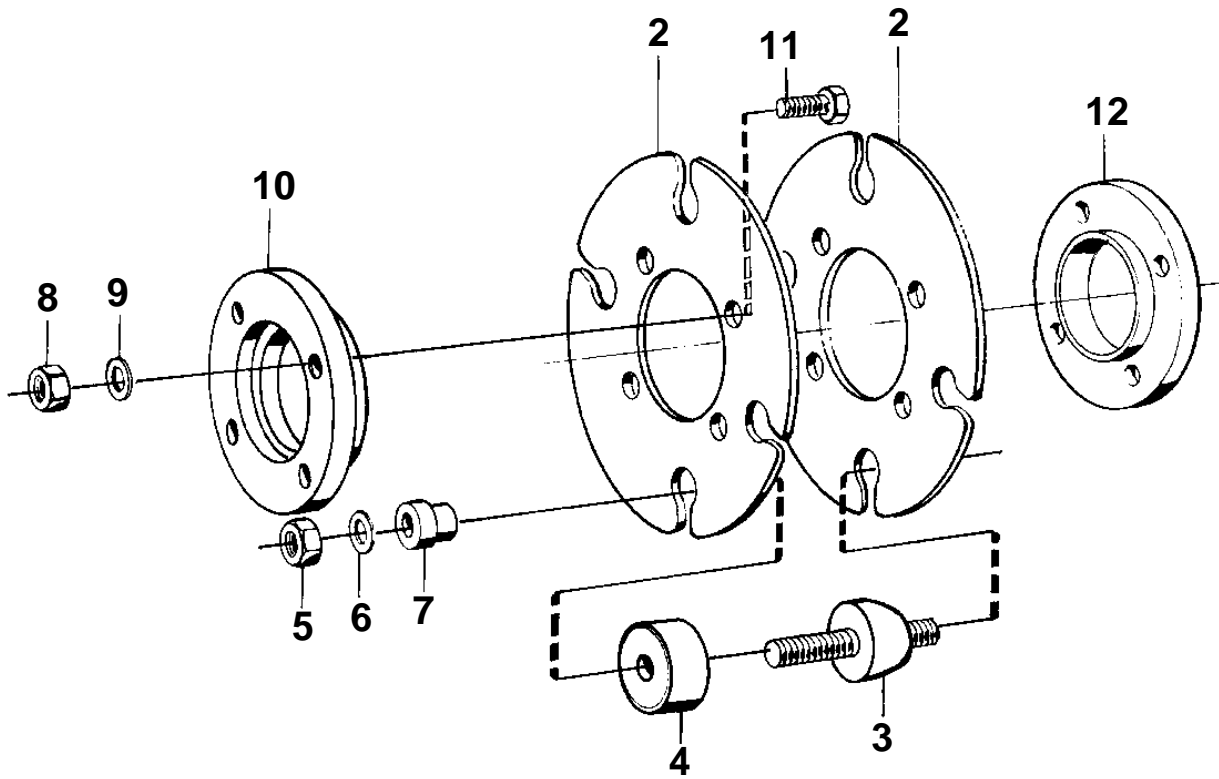


1



3946

REF	PART NO.	QTY	DESCRIPTION	NOTES
1	833626	1	Companion flange	111/2" - BORG AND BECK THD SER.62076.
2	803125	2	• Friction disc	
3	803762	4	• Rubber cushion	
4	803748	4	• Protecting casing	
5	955850	8	• Nut	
6	940280	8	• Spring washer	
7	802976	8	• Washer	
8	955783	4	• Nut	
9	941908	4	• Spring washer	
10	827935	1	• Guide ring	
11	955317	4	• Screw	L = 25 MM
	955319	4	• Screw	L = 35 MM
12	803029	1	• Guide ring	