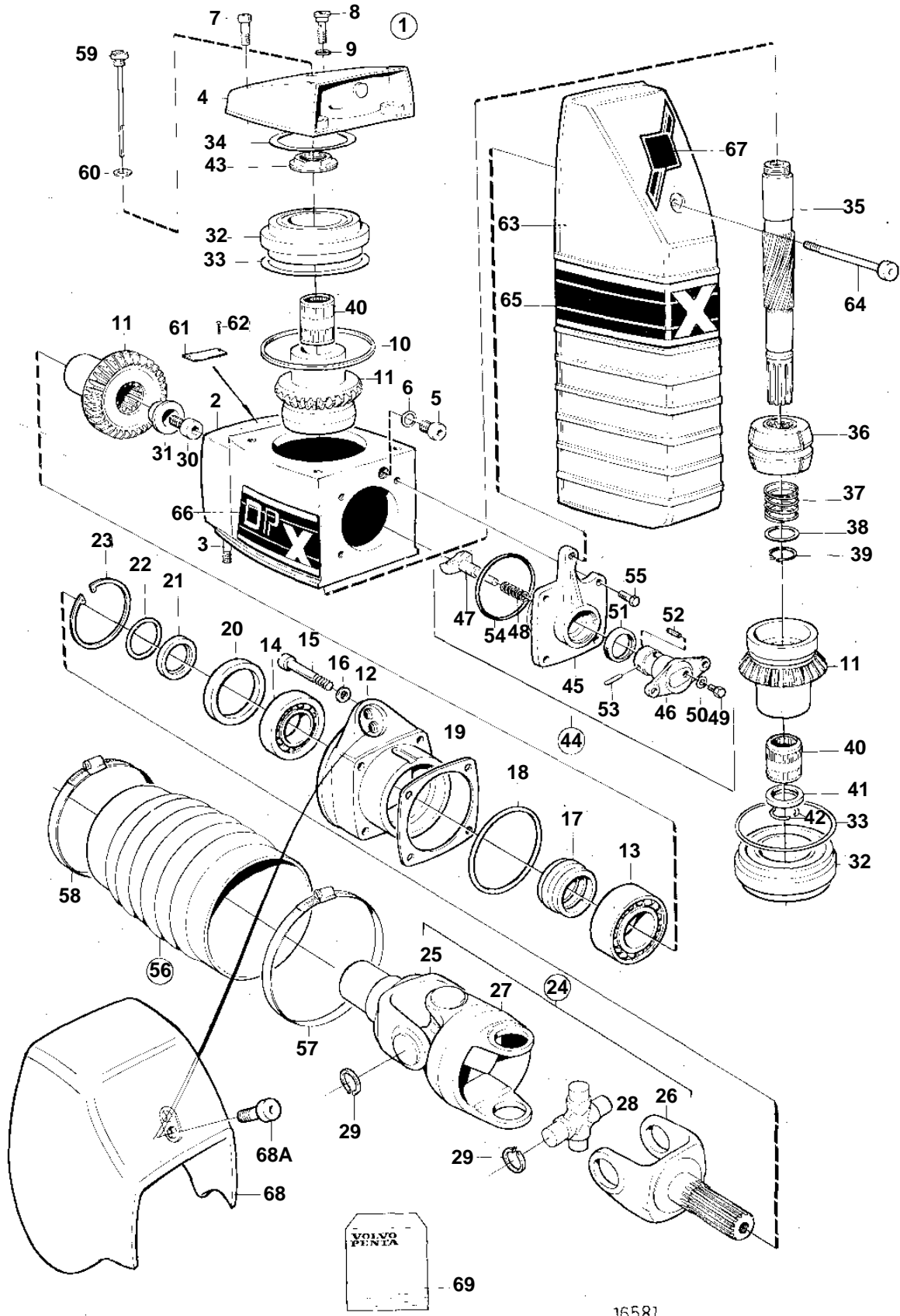


DPX



DPX

REF	PART NO.	QTY	DESCRIPTION	SEE SEC.	NOTES
1	873310	1	Upper gear unit		
2	854571	1	· Gear housing		
3	977241	2	· Stud		
4	854677	1	· Cover		
5	814179	1	· Plug		
6	897682	1	· Gasket		Included in gasket kit.
7	941807	3	· Screw		
8	814643	1	· Hollow screw		
9	955989	1	· O-ring		Included in gasket kit.
10	832669	1	· Gasket		Included in gasket kit.
11	873313	1	· Gear set		
12	854025	1	· Bearing box		
13	853949	1	· Roller bearing		
14	183247	1	· Bearing		
15	956591	4	· Screw		
16	942598	4	· Washer		
17	853484	1	· Pretensioning sleeve		
18	925095	1	· O-ring		Included in gasket kit.
19	853034	X	· Shim		TH = 0,10mm
	853035	X	· Shim		TH = 0.15mm
	853036	X	· Shim		TH=0.35mm
20	839253	1	· Sealing ring		Included in gasket kit.
21	832675	1	· Washer		
22	956000	1	· O-ring		
23	914538	1	· Lock ring		Included in gasket kit.
24	854615	1	· Universal joint	SO	
			· Bulletin P-44-1-5	P-44-1-5-EN	U-joints
25	854616	1	· · Fork		
26	854617	1	· · Fork		
27	854618	1	· · Intermediate section		
28	854619	2	· · Spider		
29	24383	8	· · Lock ring		
30	3852309	1	· Screw		(854201)
31	853026	1	· Washer		
32	854670	2	· Ball bearing		
33	943869	X	· Shim		TH=0,05mm
	946179	X	· Shim		TH = 0,10mm
	943870	X	· Shim		TH=0,20mm
34	941826	X	· Shim		TH=0,05mm
	941827	X	· Shim		TH=0,20mm
	948230	X	· Shim		TH=0.35mm
35	3852292	1	· Shaft		(853916)
36	873312	1	· Sliding sleeve		
			· Bulletin P-44-1-8	P-44-1-8-EN	Shift mechanism, shift cone and shoe
37	813970	1	· Spring		
38	854126	1	· Washer		
39	951078	1	· Snap ring		
40	3852390	2	· Needle bearing		(853819)
41	854192	1	· Spacer ring		
42	853888	1	· Lock ring		
43	854228	1	· Nut		0.0mm
	854229	1	· Nut		0.2mm
	854230	1	· Nut		0.4mm
	854265	1			0.6mm
44		1	· Shift mechanism		
45	872993	1	· · Bearing housing		
46	897816	1	· · Eccentric piston		
			· · Bulletin P-44-1-7	P-44-1-7-EN	Shift mechanism, eccentric piston
47	814603	1	· · Dog		
48	814184	1	· · Spring		
49	897711	1	· · Screw		
50	897871	X	· · Shim		
51	853868	1	· · Sealing ring		Included in gasket kit.

