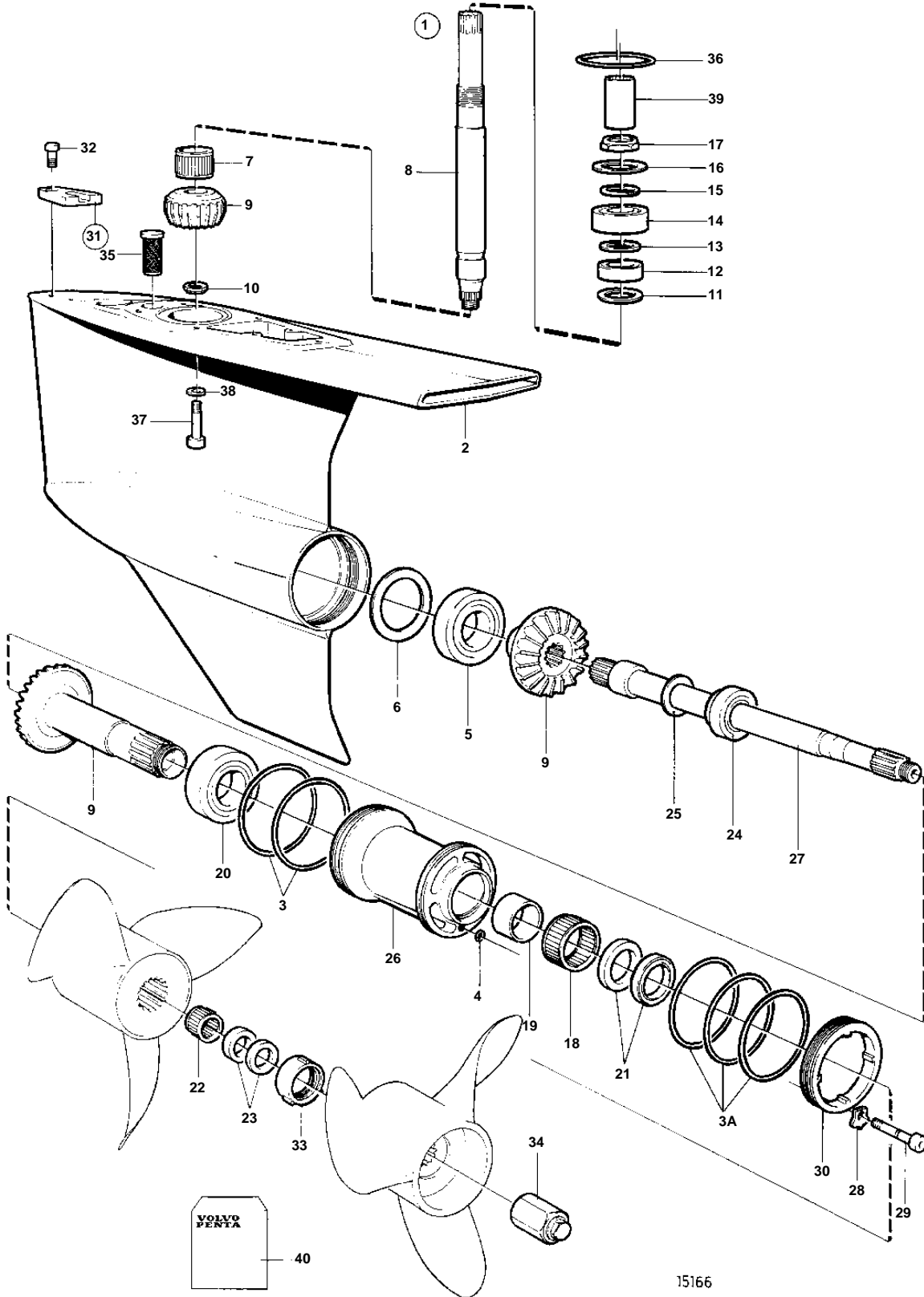


DPX



DPX

| REF | PART NO. | QTY | DESCRIPTION | SEE SEC. | NOTES |
|-----|----------|-----|--------------------|-------------|--|
| 1 | 872990 | 1 | Gear under | | RATIO 1.68:1 |
| 2 | 872134 | 1 | • Gear housing | | |
| 3 | 873232 | 2 | • O-ring | | Included in gasket kit. |
| 3A | 946438 | 3 | • O-ring | | Included in gasket kit. |
| 4 | 955981 | 1 | • O-ring | | Included in gasket kit. |
| 5 | 11044 | 1 | • Bearing | | |
| 6 | 967352 | X | • Shim | | TH=0,05mm |
| | 941823 | X | • Shim | | TH = 0,10mm |
| | 967351 | X | • Shim | | TH = 0.15mm |
| | 941824 | X | • Shim | | TH=0,20mm |
| | 941825 | X | • Shim | | TH=0,40mm |
| 7 | 184654 | 1 | • Needle bearing | | |
| 8 | 872293 | 1 | • Countershaft | | |
| 9 | 872146 | 1 | • Gear set | | RATIO 1.68:1 |
| 10 | 852212 | 1 | • Nut | | Included in gasket kit. |
| 11 | 941832 | X | • Shim | | TH=0,05mm |
| | 941833 | X | • Shim | | TH=0,20mm |
| 12 | 183374 | 1 | • Ball bearing | | |
| 13 | 944970 | 1 | • Shim | | TH = 1,6mm |
| 14 | 11072 | 1 | • Roller bearing | | |
| 15 | 897387 | 1 | • Spacer ring | | |
| 16 | 944522 | X | • Shim | | TH=0,05mm |
| | 42981 | X | • Shim | | TH = 0,10mm |
| | 968057 | X | • Shim | | TH=0,20mm |
| | 42980 | X | • Shim | | TH=0.35mm |
| 17 | 969071 | 1 | • Round nut | | Included in gasket kit. |
| 18 | 183859 | 1 | • Needle bearing | | |
| 19 | 184683 | 1 | • Inner ring | | |
| 20 | 184765 | 1 | • Roller bearing | | |
| 21 | 851407 | 2 | • Sealing ring | | Included in gasket kit. |
| 22 | 183272 | 1 | • Needle bearing | | |
| 23 | 853871 | 1 | • Sealing ring kit | | Included in gasket kit. |
| 24 | 184691 | 1 | • Bearing | | |
| 25 | 191834 | X | • Shim | | TH = 0,10mm |
| | 191835 | X | • Shim | | TH = 0.15mm |
| | 191837 | X | • Shim | | TH = 0,25mm |
| 26 | 872136 | 1 | • Bearing housing | | |
| 27 | 872393 | 1 | • Driveshaft | | |
| 28 | 872403 | 1 | • Washer | | Included in gasket kit. |
| 29 | 872174 | 1 | • Lock screw | | |
| 30 | 872172 | 1 | • Thrust ring | | |
| 31 | 876638 | 1 | • Zinc anode kit | | |
| 32 | 963684 | 2 | • • Screw | | |
| 33 | 3851335 | 1 | • Propeller nut | | FRONT, (872760) |
| 34 | 872179 | 1 | • Propeller nut | | REAR |
| 35 | 814482 | 1 | • Oil pump screen | | |
| 36 | 925256 | 1 | O-ring | | Included in gasket kit.. Included in complete drive. |
| 37 | 959457 | 4 | Screw | | Included in complete drive. |
| 38 | 853095 | 4 | Washer | | Included in complete drive. |
| 39 | 3852268 | 1 | Splined sleeve | | (854553). Included in complete drive. |
| | | | Bulletin P-44-1-6 | P-44-1-6-EN | Lower Gear Unit |
| 40 | 876267 | 1 | Gasket kit | | |