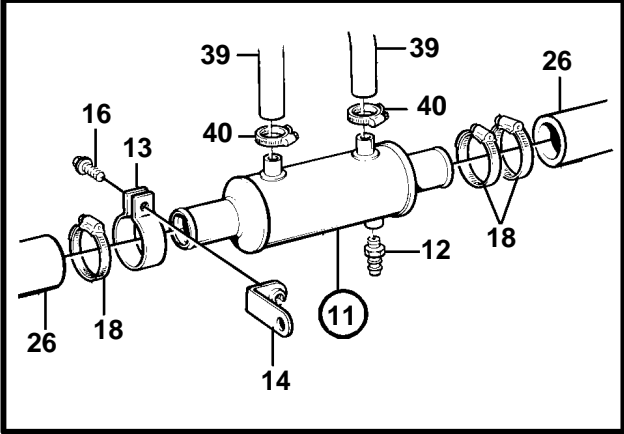
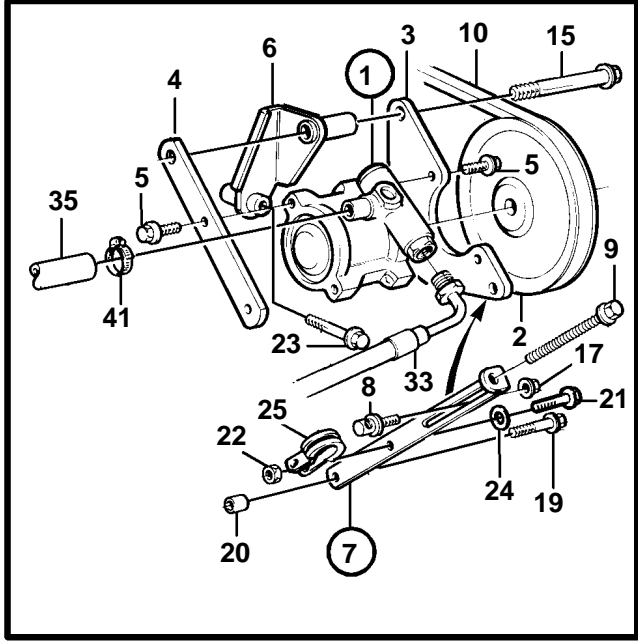
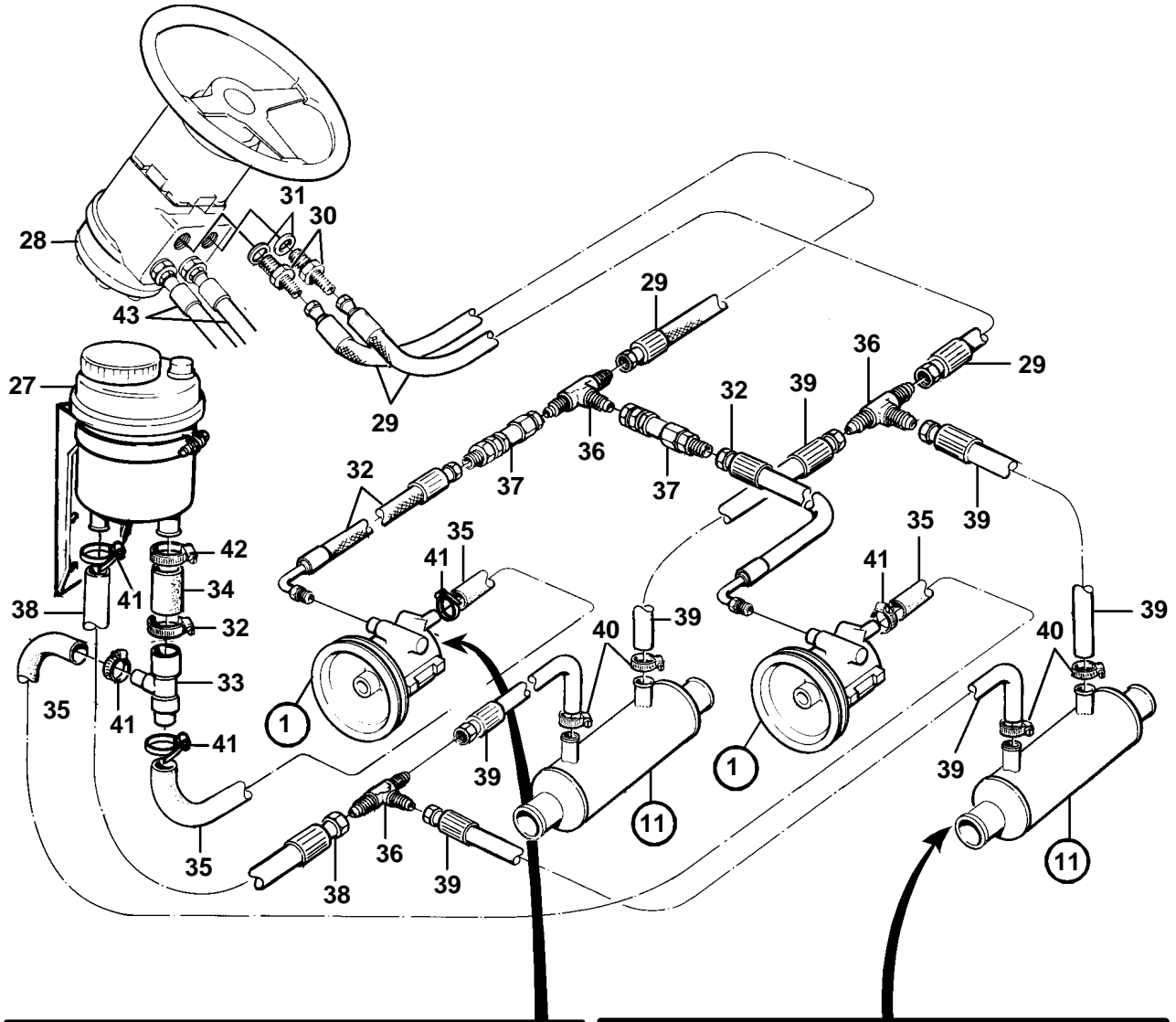


DPX



16959

DPX

REF	PART NO.	QTY	DESCRIPTION	SEE SEC.	NOTES
1	1359649	2	Power steering pump Comps. not spec.		
2	1378156	2	Pulley		
3	860682	2	Bracket		
4	860683	2	Bracket		
5	946440	10	Flange screw		
6	861659	2	Bracket		(860681)
7	861664	2	Tensioner		(860693)
8	1336961	2	· Screw		FOR 1336962
	861666	2	· Lock screw		FOR 977820
9	1336962	2	· Adjuster screw		M6, EARLY TYPE
	977820	2	· Screw		M8, LATE TYPE
10	973487	2	V-belt		
11	858541	2	Radiator		
12	949918	2	· Drain cock		
13	860700	2	Clamp		EARLY TYPE
14	860701	2	Bracket		EARLY TYPE
15	947790	2	Flange screw		
16	946671	2	Flange screw		EARLY TYPE
17	945408	2	Flange nut		
18	961669	6	Hose clamp		
19	965182	2	Flange screw		
20	191172	2	Washer		
21	946544	2	Flange screw		
22	949278	2	Lock nut		
23	946473	2	Flange screw		
24	955893	2	Washer		
25	952640	2	Clamp		
26	860689	2	Hose		Sea water pump-oil cooler.. Intake-oil cooler
27	872137	1	Tank		
28		1	Control unit	640	
29	872158	2	Hose		L=6,0m
30	873340	2	Nipple		
31	873341	2	Washer		
32	872159	2	Hose		L=1,5m
33	872168	1	T-nipple		
34	3851508	1	Suction hose		L=1,5m
35	3851509	1	Suction hose		L=2,0m. To be cut to suitable length.
36	873334	3	T-nipple		
37	873351	2	Check valve		
38	872973	1	Hose		L=3,0m
39	872160	4	Hose		L=2,0m
40	961663	4	Clamp		
41	961665	4	Hose clamp		
42	961666	1	Hose clamp		
43	872158	2	Hose	640	