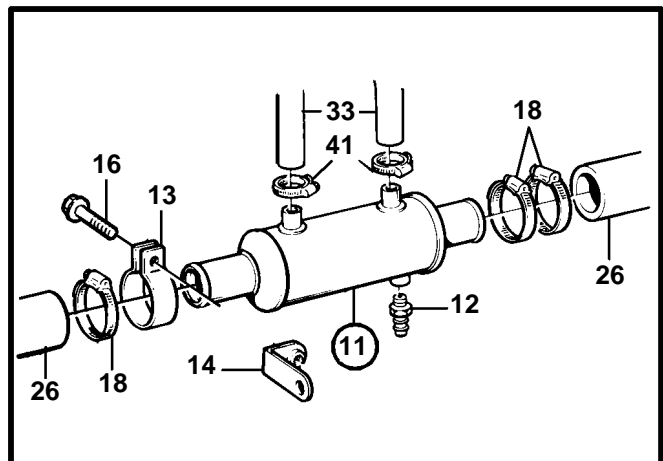
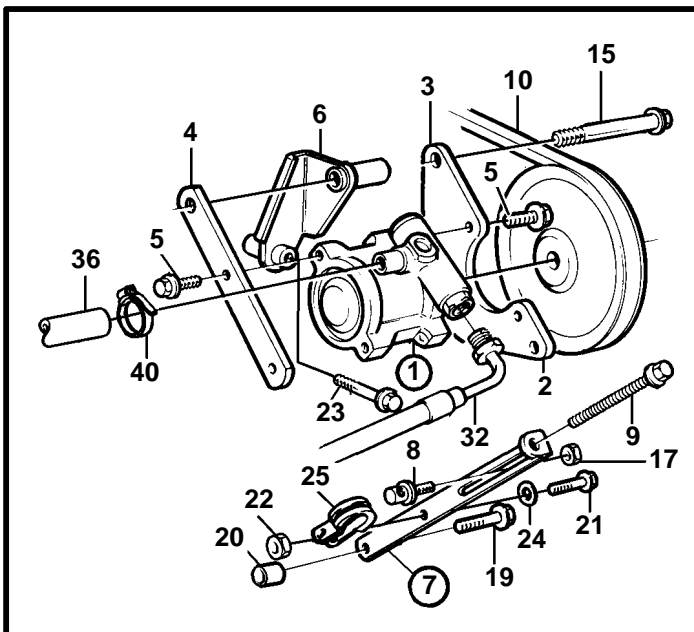
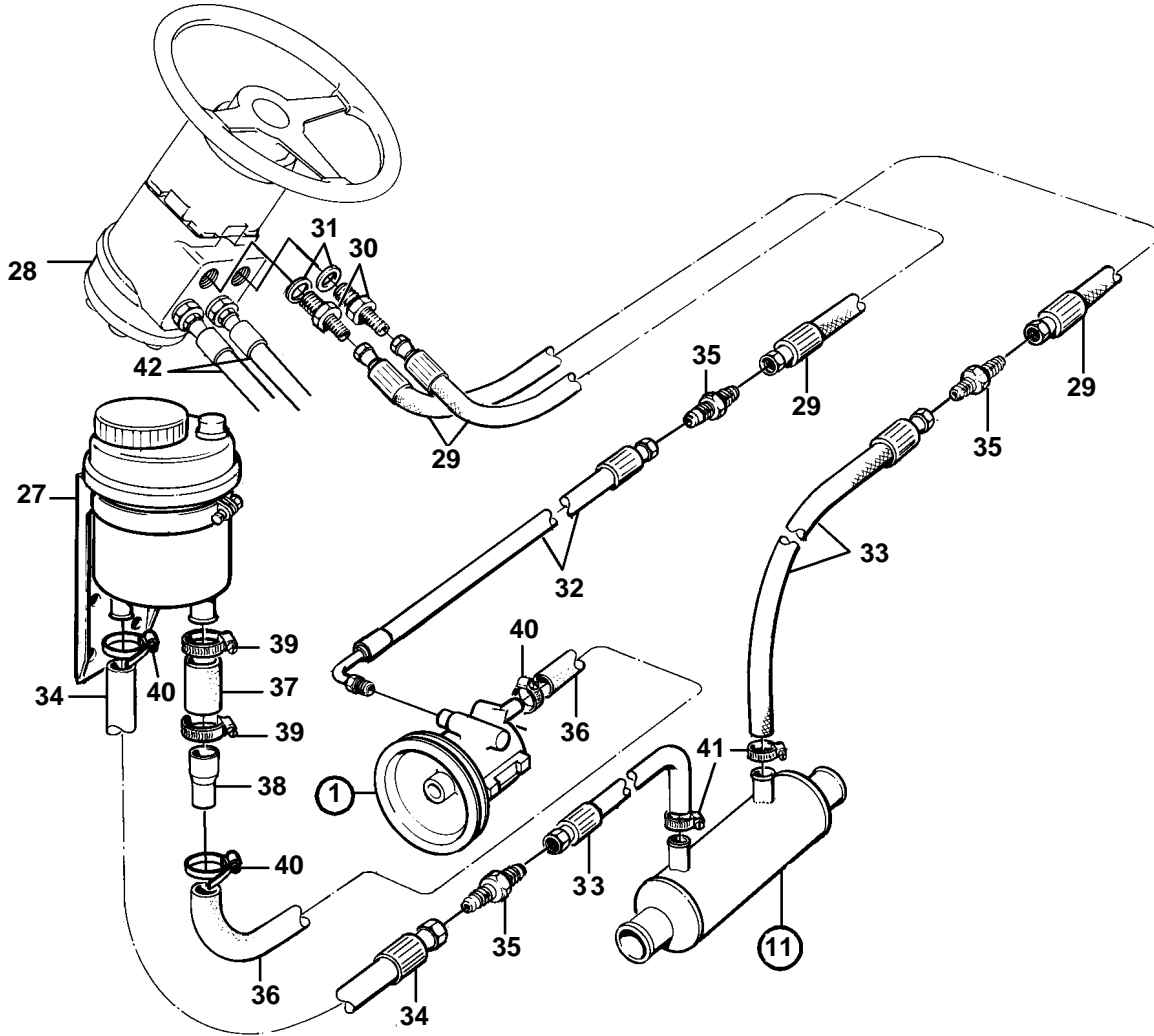


DPX



DPX

REF	PART NO.	QTY	DESCRIPTION	SEE SEC.	NOTES
1	1359649	1	Power steering pump Comps. not spec.		
2	1378156	1	Pulley		
3	860682	1	Bracket		
4	860683	1	Bracket		
5	946440	5	Flange screw		
6	861659	1	Bracket		(860681)
7	861664	1	Tensioner		(860693)
8	1336961	1	· Screw		FOR 1336962
	861666	1	· Lock screw		FOR 977820
9	1336962	1	· Adjuster screw		M6, EARLY TYPE
	977820	1	· Screw		M8, LATE TYPE
10	973487	1	V-belt		
11	858541	1	Radiator		
12	949918	1	· Drain cock		
13	860700	1	Clamp		EARLY TYPE
14	860701	1	Bracket		EARLY TYPE
15	947790	1	Flange screw		
16	946671	1	Flange screw		EARLY TYPE
17	945408	1	Flange nut		
18	961669	3	Hose clamp		
19	965182	1	Flange screw		
20	191172	1	Washer		
21	946544	1	Flange screw		
22	949278	1	Lock nut		
23	946473	1	Flange screw		
24	955893	1	Washer		
25	952640	1	Clamp		
26	860689	1	Hose		Sea water pump-oil cooler.. Intake-oil cooler
27	872137	1	Tank		
28		1	Control unit	639	
29	872158	2	Hose		L=6,0m
30	873340	2	Nipple		
31	873341	2	Washer		
32	872159	1	Hose		L=1,5m
33	872160	2	Hose		L=2,0m
34	872973	1	Hose		L=3,0m
35	873358	3	Nipple		
36	3851506	1	Suction hose		L=2,3m
37	3851507	1	Suction hose		L=0,2m
38	873350	1	Tube		
39	961666	2	Hose clamp		
40	961665	2	Hose clamp		
41	961663	2	Clamp		
42	872158	2	Hose	639	