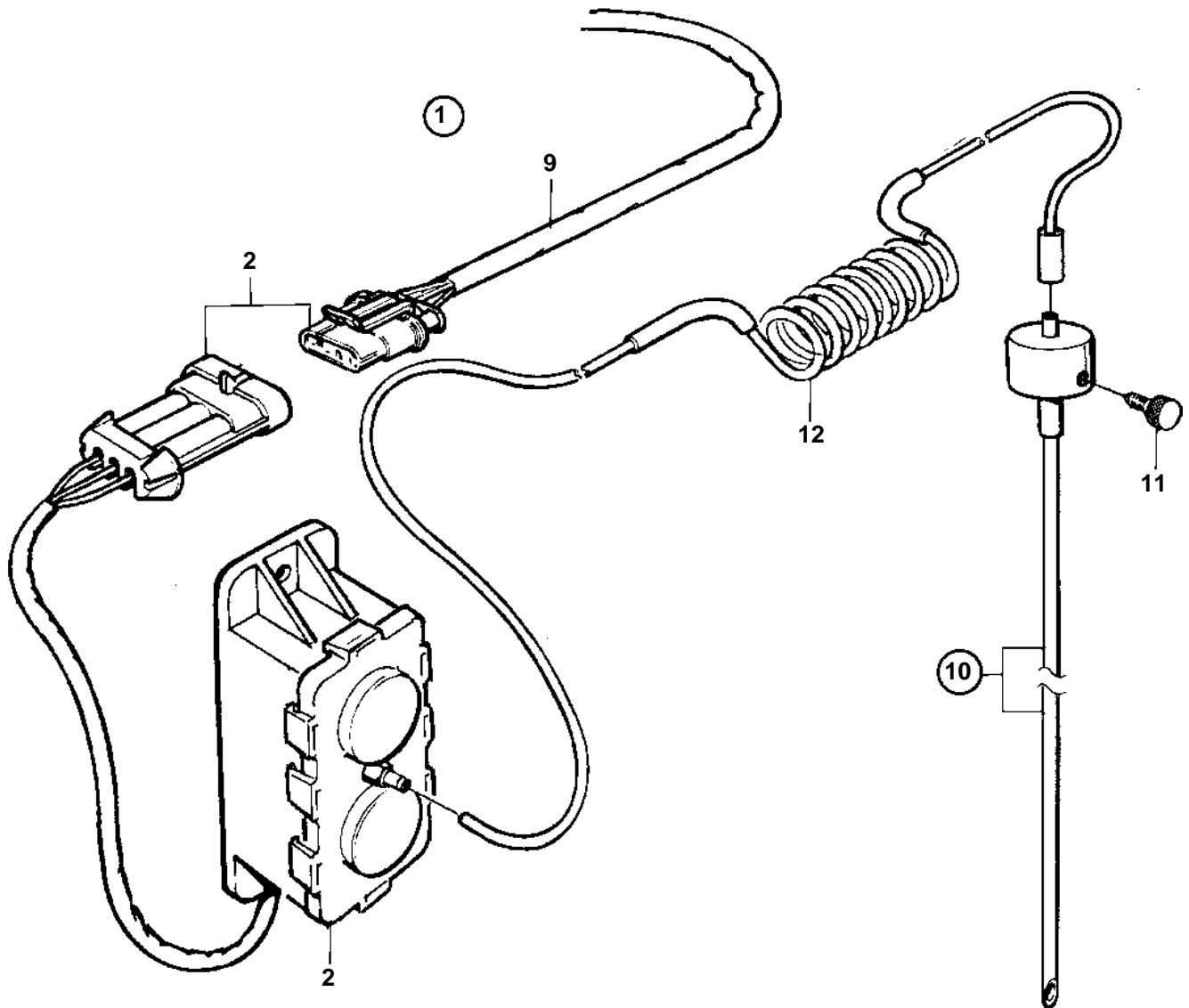
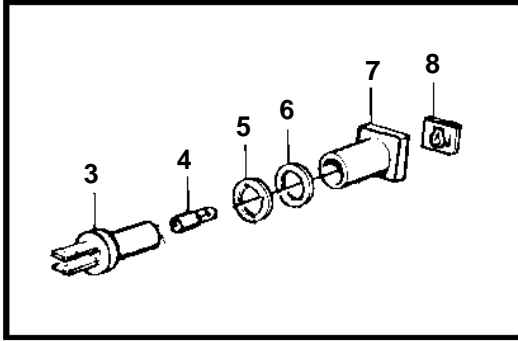


COMMON



COMMON

REF	PART NO.	QTY	DESCRIPTION	SEE SEC.	NOTES
1		1	Level guard		12V
2	866831	1	• Sender		
3	808175	1	• Bulb socket		
4	19923	1	• Bulb		12V
5	967583	1	• Retainer		
6	829714	1	• Seal		
7	838455	1	• Retainer		
8	866853	1	• Symbol strip		
9		X	Electrical materials		
		X	Cables and terminals	1963	
10	866841	1	Dipstick		
11		1	• Screw		
12		1	• Hose		