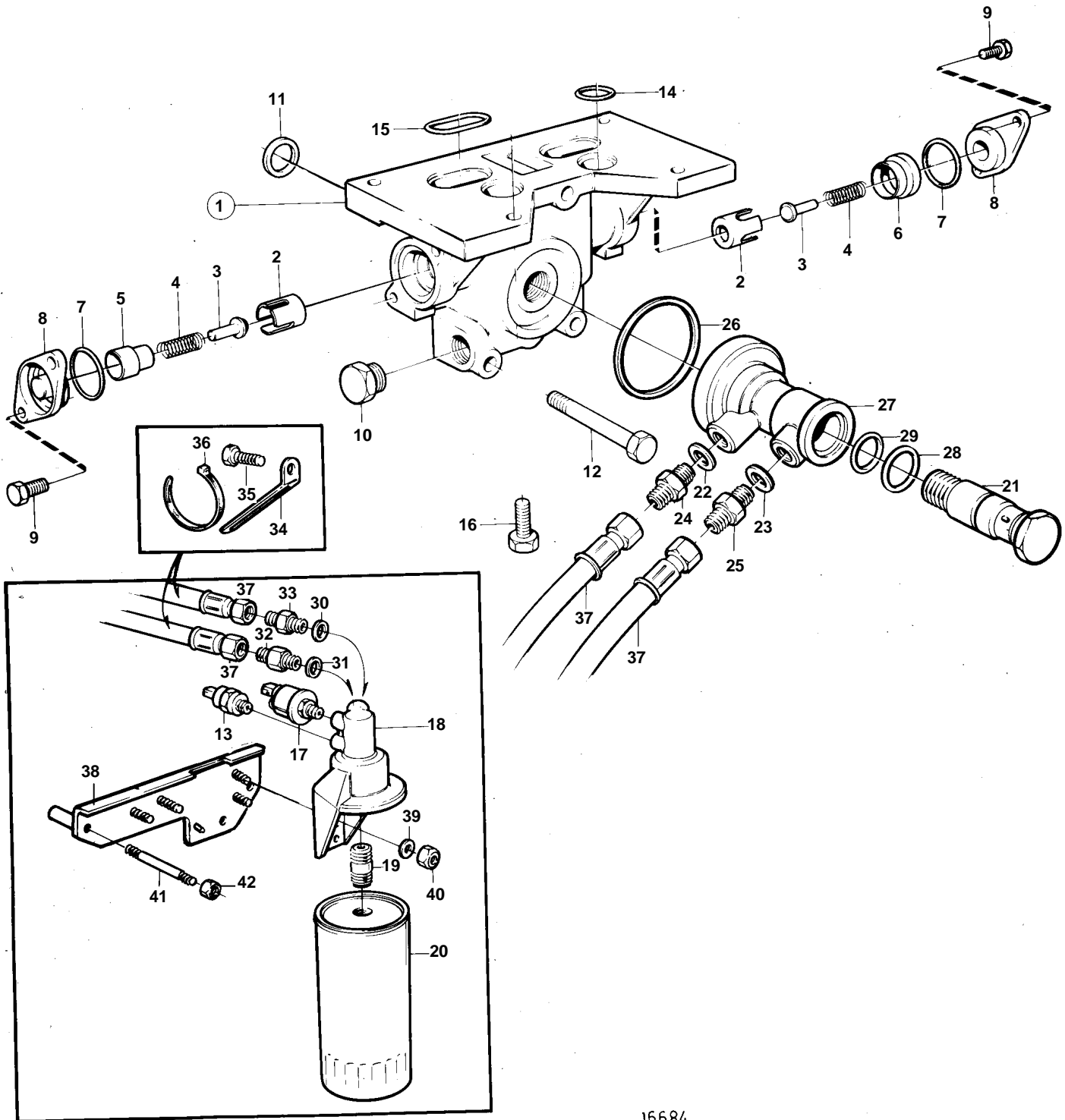


KAMD42P-A, KAD42P-A



16684

KAMD42P-A, KAD42P-A

REF	PART NO.	QTY	DESCRIPTION	NOTES
1	860608	1	Housing	
2	1542265	2	• Seat	
3	471085	2	• Valve	
4	468087	2	• Spring	
5	1542268	1	• Sleeve	
6	1542266	1	• Sleeve	
7	925065	2	• O-ring	
8	1542267	2	• Cover	
9	946544	4	• Flange screw	
10	479977	1	• Plug	(952077)
11	469483	4	Sealing ring	
12	965182	3	Flange screw	
13		1	Pressure switch	SE GROUP 30
14	469483	2	Sealing ring	
15	859086	2	Sealing ring	
16	946671	4	Flange screw	
17		1	Oil pressure sensor	SE GROUP 30
18	860530	1	Filter housing	
19	423067	1	Nipple	
20	4785974	1	Oil filter	
21	860482	1	Hollow screw	
22	947627	1	Gasket	
23	947627	1	Gasket	
24	947554	1	Nipple	
25	860794	1	Nipple	
26	967343	1	O-ring	
27	860483	1	Adapter	
28	949659	1	O-ring	
29	949721	1	O-ring	
30	947627	1	Gasket	
31	947627	1	Gasket	
32	860794	1	Nipple	
33	947554	1	Nipple	
34	965558	1	Bracket	
35	946440	1	Flange screw	
36	948211	X	Strip clamp	
37	860527	2	Oil hose	
38	861550	1	Bracket	
39	941907	2	Spring washer	
40	945408	2	Flange nut	
41		2	Stud	SEE GROUP 25
42		2	Nut	SEE GROUP 25