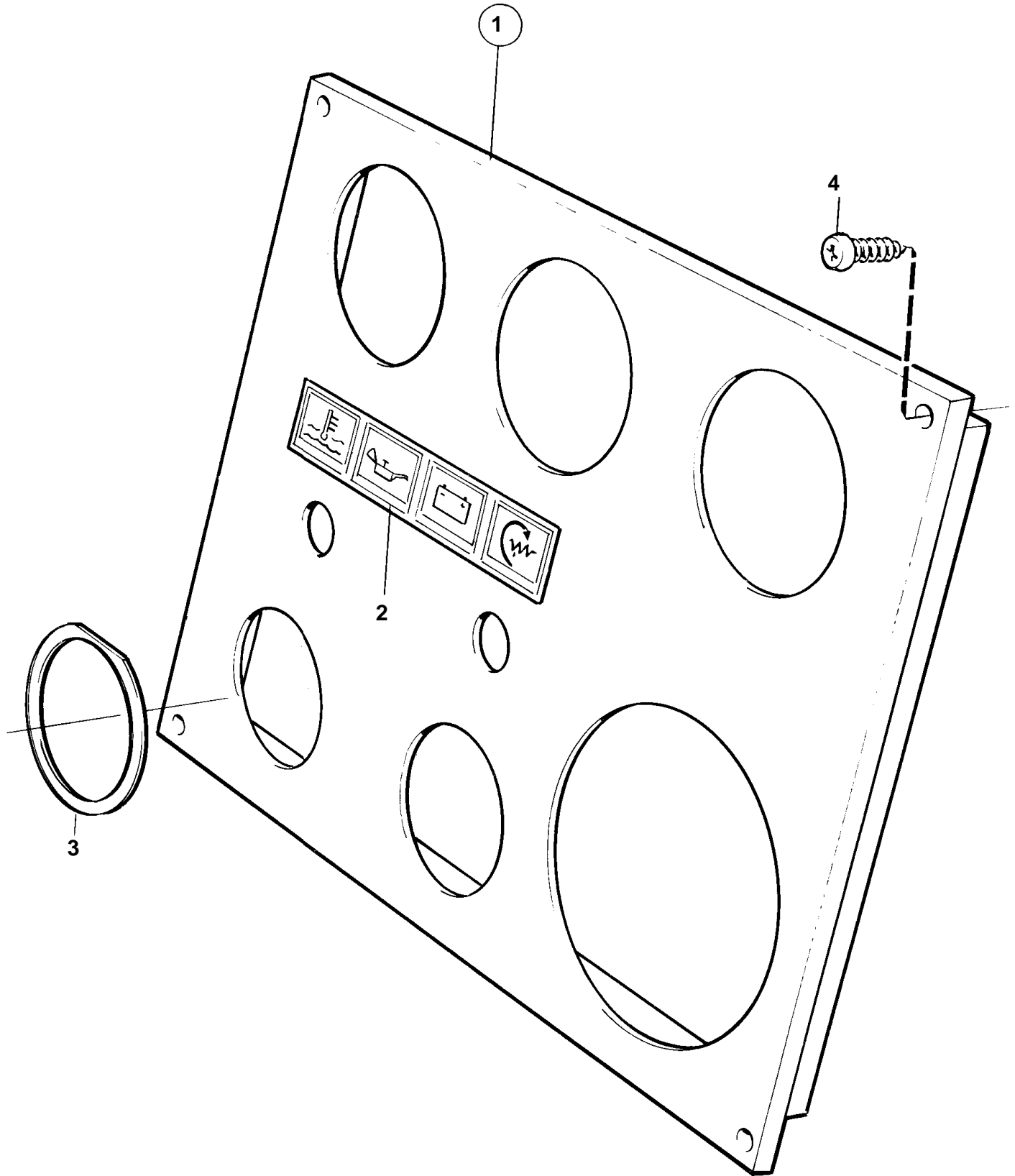


COMMON



10041

COMMON

REF	PART NO.	QTY	DESCRIPTION
1	860184	1	Instrument panel
2	858645	1	· Symbol strip
3		1	· Marking labelstarter switch
4	828647	4	Screw