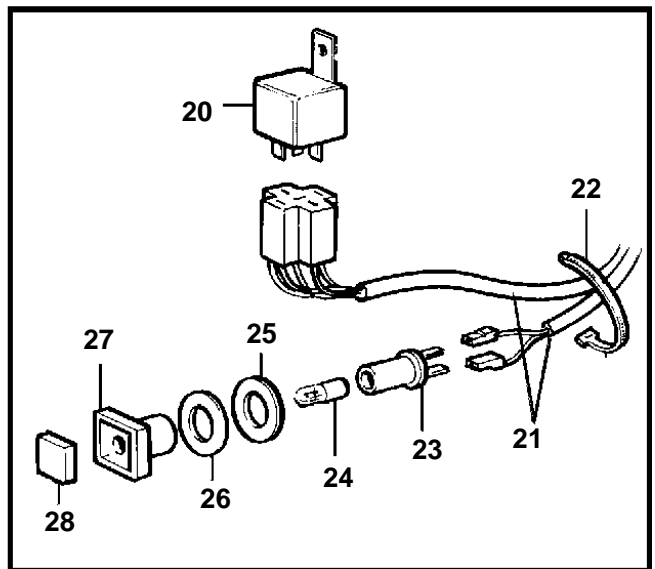
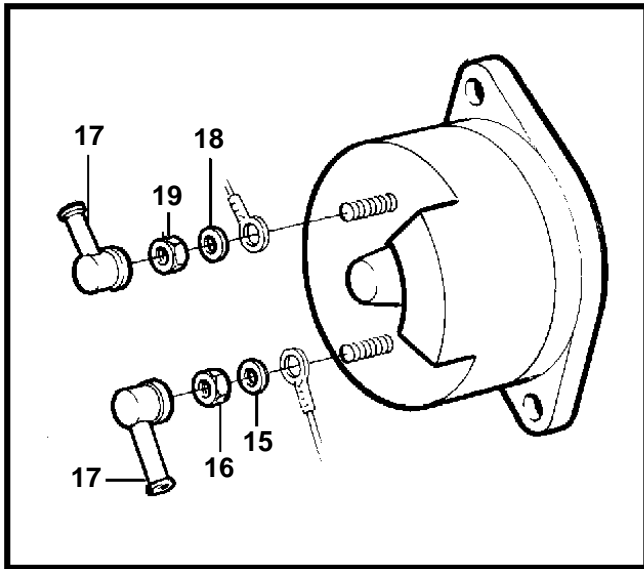
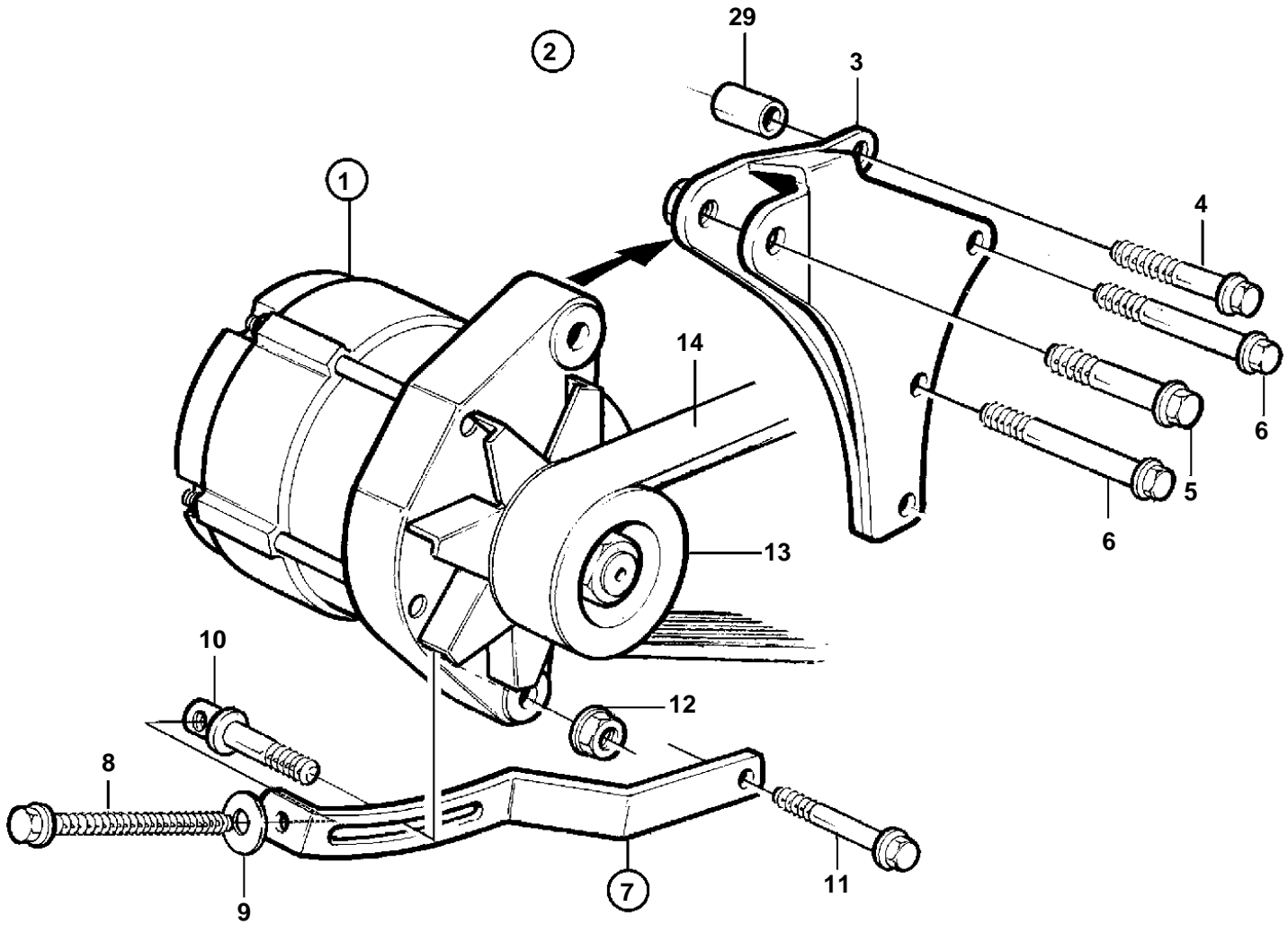


KAMD42P-A, KAD42P-A



17220

KAMD42P-A, KAD42P-A

REF	PART NO.	QTY	DESCRIPTION	SEE SEC.	NOTES
1	872235	1	Alternator		14V 60A. Not included in kit.
	3803260	1	Alternator,exch		Exchange unit
				448	
	872927	1	Alternator		28V 40A. Not included in kit.
	3803619	1	Alternator,exch		Exchange unit
			Comps. not spec.		
2	3581630	1	Connector kit		For engines with a multi-v belt driven water pump.
3	860271	1	• Bracket		
4	965179	1	• Flange screw		L=50mm
5	955554	1	• Screw		L=76mm
6	965182	2	• Flange screw		L=80mm
7	861667	1	• Tensioner		
8	977820	1	• • Screw		
9	955894	1	• • Washer		
10	861663	1	• • Lock screw		
11	965183	1	• Flange screw		
12	945408	1	• Flange nut		
13	861544	1	• Pulley		
14	861566	1	• Drive belt, multi-V		
15	941906	1	• Spring washer		
16	945407	1	• Flange nut		
17	842150	2	• Protective cap		
18	941905	1	• Spring washer		
19	965483	1	• Nut		
20	872300	1	• Relay		(853545) 12V 30A
21	838542	1	• Cable trunk		
22	948211	X	• Strip clamp		
23	808175	1	• Bulb socket		
24	19923	1	• Bulb		12V 2W
	182059	1	• Bulb		28V 3W
25	967583	1	• Retainer		
26	829714	1	• Seal		
27	838455	1	• Retainer		
28	838457	1	• Symbol strip		
29	843075	1	Sleeve		