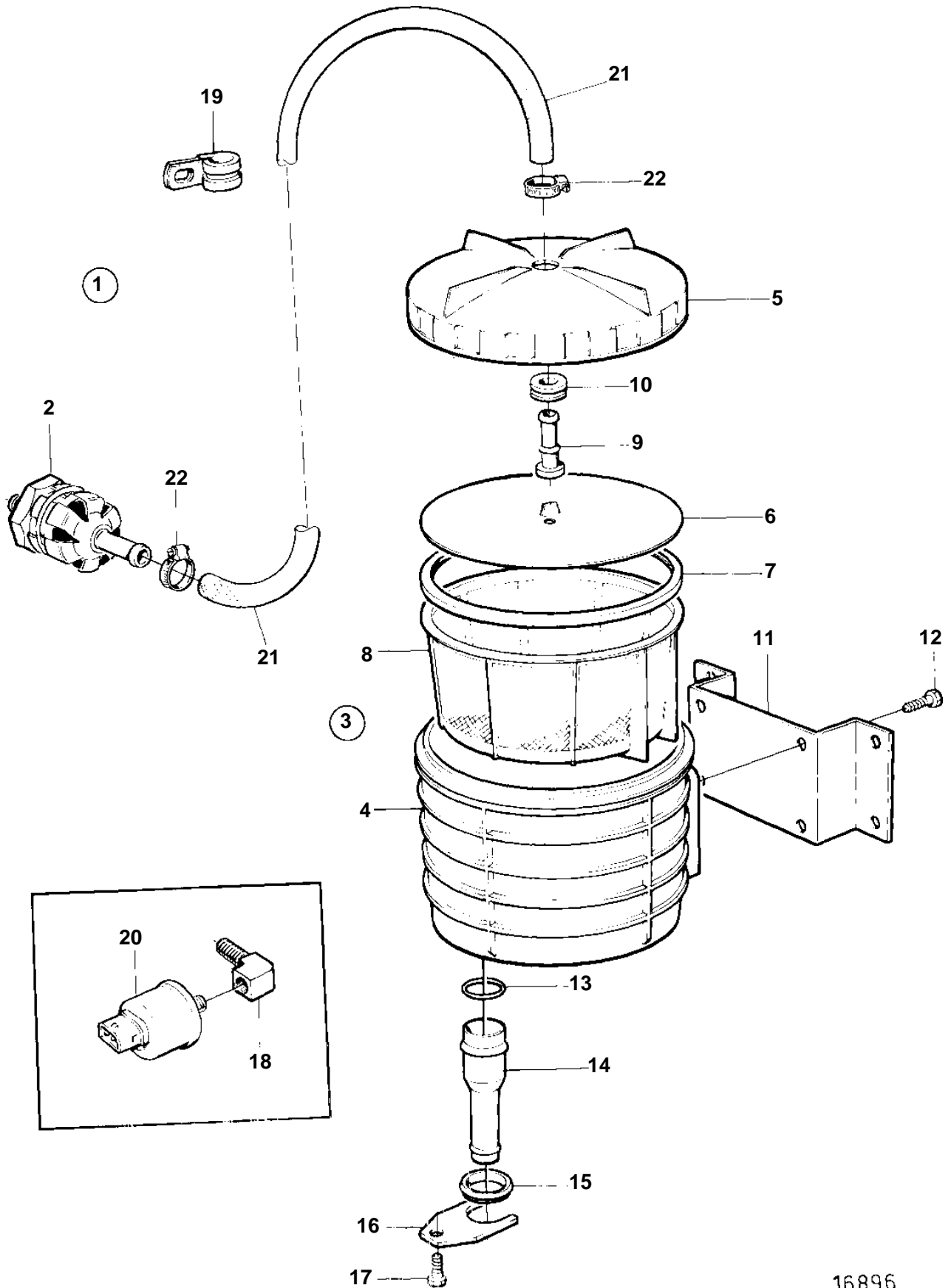


TMD31L-A, TAMD31P-A, TAMD31L-A, TAMD31M-A, TMD41L-A, TAMD41P-A, TAMD41L-A, TAMD41M-A, TAMD41H-A, KAMD42P-A, TAMD42WJ-A, KAMD43P-A, KAMD44P-A



TMD31L-A, TAMD31P-A, TAMD31L-A, TAMD31M-A, TMD41L-A, TAMD41P-A, TAMD41L-A, TAMD41M-A, TAMD41H-A, KAMD42P-A, TAMD42WJ-A, KAMD43P-A, KAMD44P-A

REF	PART NO.	QTY	DESCRIPTION	SEE SEC.	NOTES
1	3581591	1	Vacuum valve kit		
			Bulletin 51-15(1)	51-15(1)-EN	The New Volvo Penta Siphon-Stopper, D31/41/42
2	3581358	1	• Vacuum valve		
3	3581440	1	• Strainer		
4	845338	1	• • Strainer housing		
5	3581438	1	• • Cover		
6	3581437	1	• • Pressure plate		
7	838977	1	• • Rubber seal		
8	858081	1	• • Strainer		
9	3581439	1	• • Nipple		
10	843109	1	• • Bushing		
11	845960	1	• Bracket		
12	940199	4	• Screw		
13	845354	2	• Sealing ring		
14	847106	1	• Hose connection		L=80mm
	838582	1	• Hose connection		L=125mm
15	847017	2	• Retainer		
16	847018	2	• Brace		
17	940199	2	• Screw		
18	16218	1	• Elbow nipple		
19	952630	2	• Clamp		
20		1	Oil pressure sensor		SE GROUP 30
21	943367	X	Hose		
22	961663	2	Clamp		