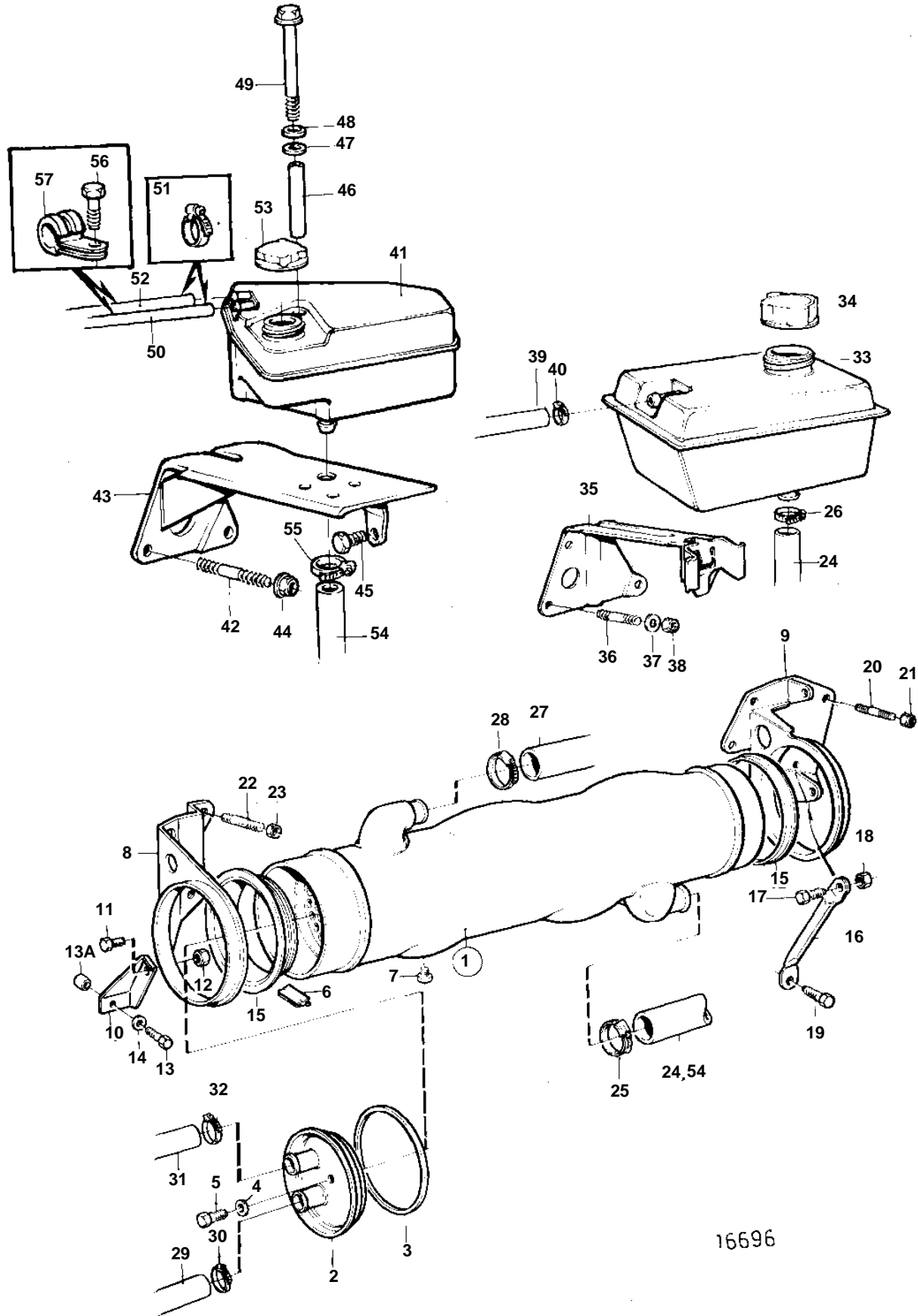


KAMD42P-A, KAD42P-A



16696

## KAMD42P-A, KAD42P-A

REF	PART NO.	QTY	DESCRIPTION	SEE SEC.	NOTES
1	861082	1	Heat exchanger Bulletin 44-41	44-41-EN	New silencer kit for KAD/KAMD42-A
2	861308	1	• Cover		
3	925027	1	• O-ring		
4	964106	1	• Gasket		
5	963567	1	• Screw		
6	860127	3	• Sealing strip		
7	861551	1	• Plug		
8	860391	1	Bracket		
9	860392	1	Bracket		
10	860451	1	Bracket		
11	946440	1	Flange screw		
12	948645	1	Lock nut		
13	965226	1	Flange screw		
13A	843122	1	Spacer sleeve		KAMD
	861554	1	Spacer sleeve		KAD
14	940143	1	Lock washer		
15	838733	2	Support ring		
16	860450	1	Stay		
17	945444	1	Flange screw		
18	948645	1	Lock nut		
19	965193	1	Screw		
20	953002	4	Stud		L=125mm
21	971095	4	Nut		
22	17378	2	Stud		L=170mm
23	971095	2	Nut		
24	861112	1	Hose		Heat exchanger-expansion tank-water pump.
25	943477	1	Hose clamp		
26	943474	1	Hose clamp		
27	861109	1	Hose		Thermostat housing-heat exchanger.
28	943477	1	Hose clamp		
29	861277	1	Hose		Heat exchanger-after cooler.
30	943475	1	Hose clamp		
31	861278	1	Hose		I.D.=32mm. Heat exchanger-exhaust riser.
	3581066	1	Hose		I.D.=38mm. Heat exchanger-exhaust riser.
32	943475	1	Hose clamp		
33	861105	1	Expansion tank		For earlier version of expansion tank.
34	1357775	1	Pressure cap		
35	861107	1	Bracket		
36		3	Stud	1939	
37	941908	3	Spring washer		
38	971095	3	Nut		
39	942700	X	Hose		L=600mm
40	945652	1	Hose clamp		
41	3580941	1	Expansion tank		For later version of expansion tank.
42	953003	2	Stud		
	953005	1	Stud		
43	3581040	1	Bracket		
44	971095	3	Nut		
45	946544	1	Flange screw		
46	3581032	1	Spacer sleeve		
47	3285120	1	Rubber ring		
48	976944	1	Washer		
49	968999	1	Screw		
50	942700	X	Hose		L=760mm. Expansion tank-Turbo.
51	945652	2	Hose clamp		
52	942700	X	Hose		L=580mm. Expansion tank-thermostat housing.
53	1674083	1	Pressure cap		
54	3581099	1	Hose		Heat exchanger-expansion tank-water pump.
55	943474	1	Hose clamp		
56	965175	2	Screw		
57	952627	2	Clamp		