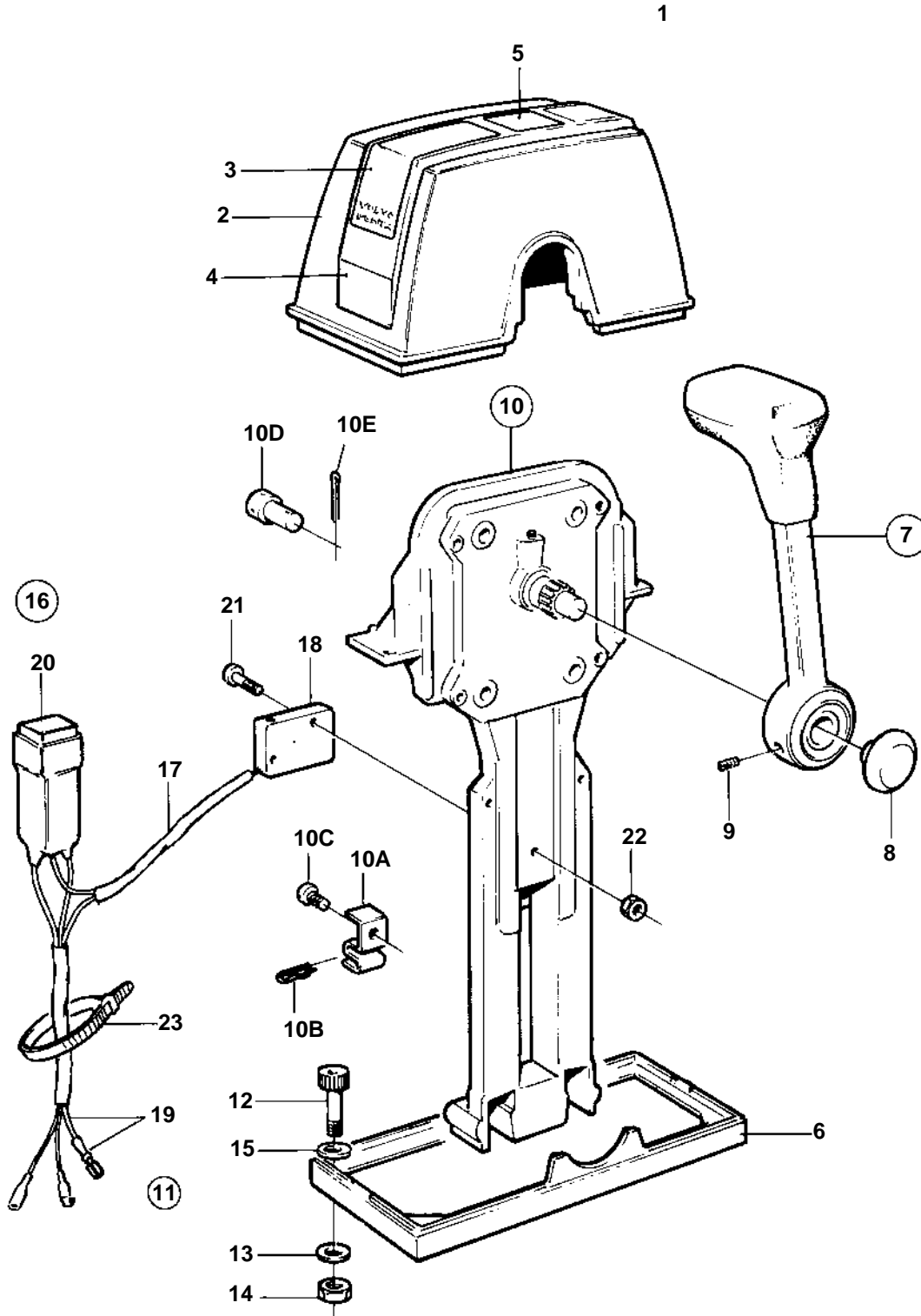


COMMON, KAD32P-A, TAMD42WJ-A, KAMD42P-A, KAD42P-A, KAMD43P-A, KAD43P-A, TAMD63L-A, TAMD63P-A, TAMD71B, TAMD72WJ-A, TMD122A, TAMD122A, TAMD122P-A



15094

COMMON, KAD32P-A, TAMD42WJ-A, KAMD42P-A, KAD42P-A, KAMD43P-A, KAD43P-A, TAMD63L-A, TAMD63P-A, TAMD71B, TAMD72WJ-A, TMD122A, TAMD122A, TAMD122P-A

| REF | PART NO. | QTY | DESCRIPTION              | SEE SEC. | NOTES                        |
|-----|----------|-----|--------------------------|----------|------------------------------|
| 1   | 853169   | 1   | Mounting kit             |          | For twin installation.       |
| 2   | 851881   | 1   | · Cover                  |          |                              |
| 3   | 851895   | 2   | · · Decal                |          |                              |
| 4   |          | 1   | · · Cover plate          |          |                              |
| 5   | 851897   | 1   | · · Decal                |          |                              |
| 6   | 839479   | 1   | · · Plate                |          |                              |
| 7   | 852347   | 2   | · Lever                  |          |                              |
| 8   |          | 2   | · · Push button          | 266      | Included in complete handle. |
| 9   |          | 2   | · · Screw                |          | Included in complete handle. |
| 10  | 851600   | 2   | · Control                |          |                              |
| 10A | 853423   | 2   | · · Retainer             |          |                              |
| 10B | 852924   | 2   | · · Clip                 |          |                              |
| 10C | 839664   | 2   | · · Screw                |          |                              |
| 10D | 839638   | 2   | · · Cube                 |          |                              |
| 10E | 17253    | 2   | · · Cotter pin           |          |                              |
| 11  |          | 1   | · Screw kit              |          |                              |
| 12  | 947671   | 4   | · · Allen head screw     |          |                              |
| 13  | 960138   | 4   | · · Washer               |          |                              |
| 14  | 955780   | 4   | · · Nut                  |          |                              |
| 15  | 940090   | 4   | · · Washer               |          |                              |
| 16  | 855352   | 2   | Neutral posit contac     |          |                              |
| 17  | 839619   | 2   | · Cable kit              |          |                              |
| 18  | 850200   | 2   | · · Switch               |          |                              |
| 19  |          | X   | · · Cables and terminals |          | SE GROUP 30                  |
| 20  | 876037   | 2   | · Relay kit              |          |                              |
| 21  | 946177   | 4   | · Screw                  |          |                              |
| 22  | 947536   | 4   | · Nut                    |          |                              |
| 23  | 948211   | X   | · Strip clamp            |          |                              |