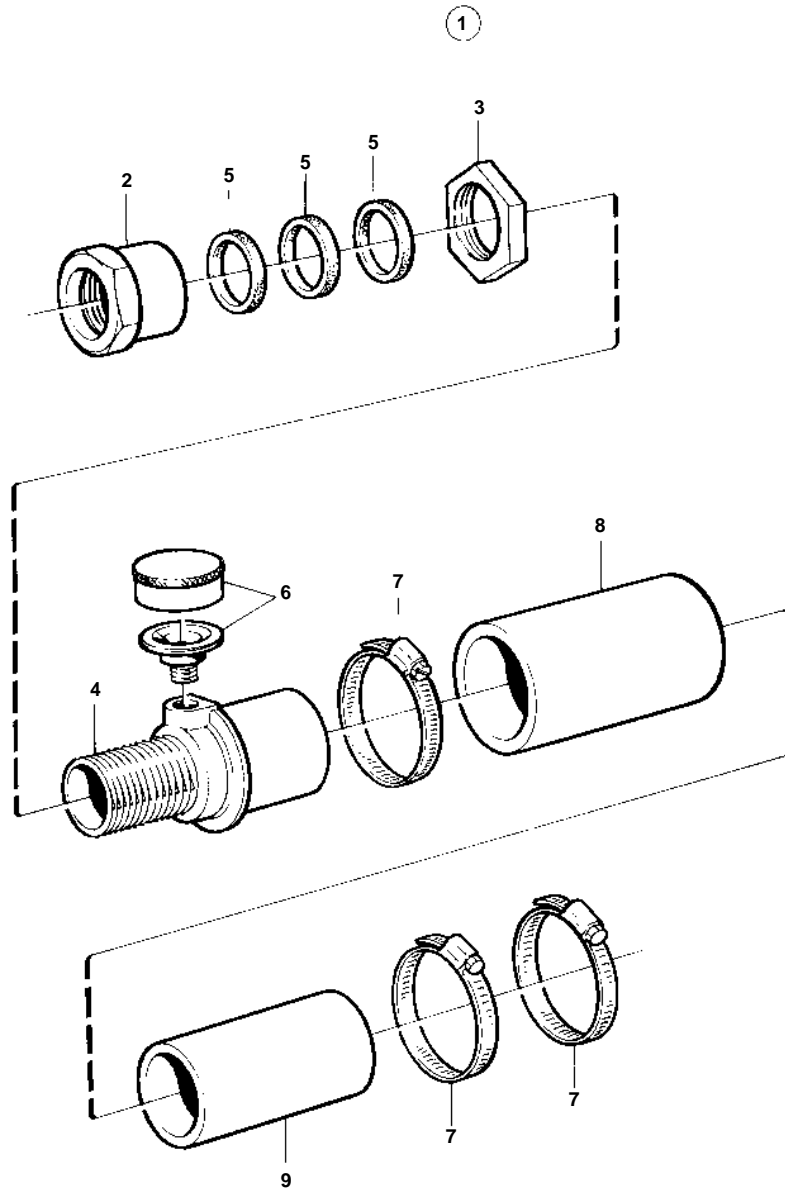


1



9657

KAMD42A

REF	PART NO.	QTY	DESCRIPTION	NOTES
1	859014	1	Stuffing box	D = 35 MM
2	802605	1		
3	802604	1		
4	827177	1		
5	859007	3	· Box gasket	
6	914138	1	· Grease cup	
7	961674	3	· Clamp	
8	827179	1	· Hose	
9	827931	1		