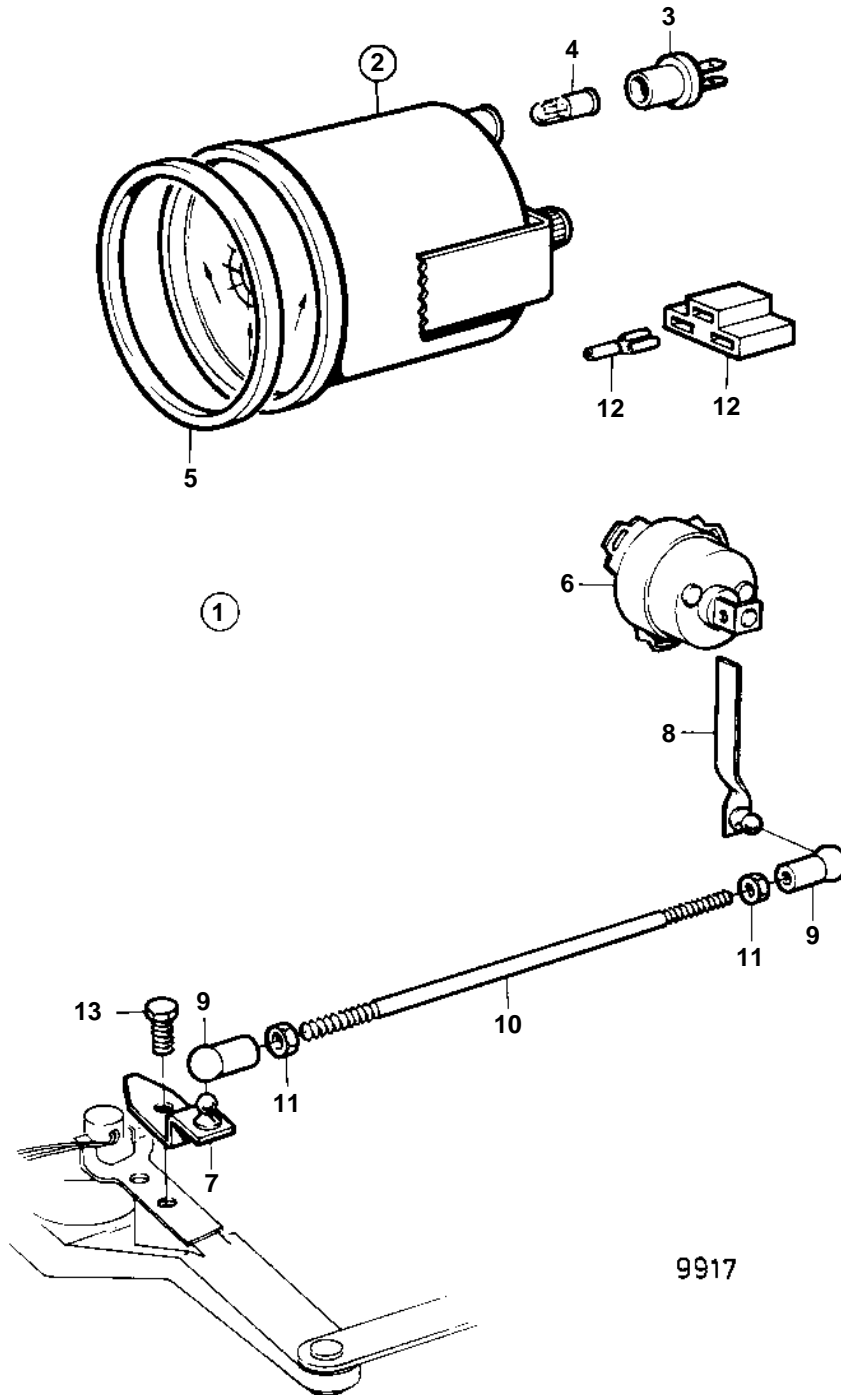


COMMON



COMMON

REF	PART NO.	QTY	DESCRIPTION	NOTES
1	1140463	1	Rudder indicator kit	FOR DIESEL ENGINE WITH DUOPROP DRIVE UNIT.
2	863944	1	• Rudder indicator	
3	863945	1	• • Bulb socket	FOR RUDDER INDICATOR INSTRUMENTS WITH PART NO 828698 SHOULD WHITE BULB 19923 AND BULB HOLDER 808175 BE INSTALLED
4	863946	1	• • Bulb	RED. FOR RUDDER INDICATOR INSTRUMENTS WITH PART NO 828698 SHOULD WHITE BULB 19923 AND BULB HOLDER 808175 BE INSTALLED
5	858643	1	• Front ring	
6	837772	1	• Rudder position sens	
7	853176	1	• Bracket	
8	853177	1	• Lever	
9	946704	1	• Ball socket	LEFT HAND THREADS.
	946703	1	• Ball socket	RIGHT HAND THREADS.
10	943549	1	• Control rod	
11	942836	1	• Nut	LEFT HAND THREADS.
	955780	1	• Nut	RIGHT HAND THREADS.
12		X	• CABLES AND TERMINALS	SEE GROUP 3
13	940199	1	Screw	