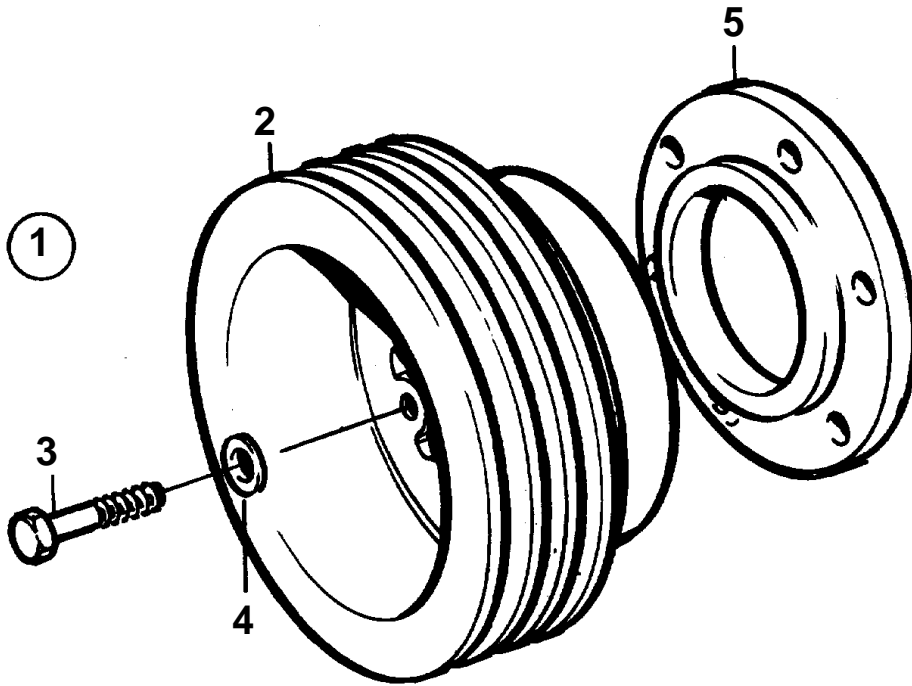


COMMON



**COMMON**

REF	PART NO.	QTY	DESCRIPTION	NOTES
1	861157	1	Pulley	"HC50". FITS ENGINES WITH DAMPER THICKNESS T=35 AND T=41MM.
2	861123	1	· Pulley	"HC50"
3	963233	6	· Screw	
4	941907	6	· Spring washer	
5	860870	1	· Spacer	