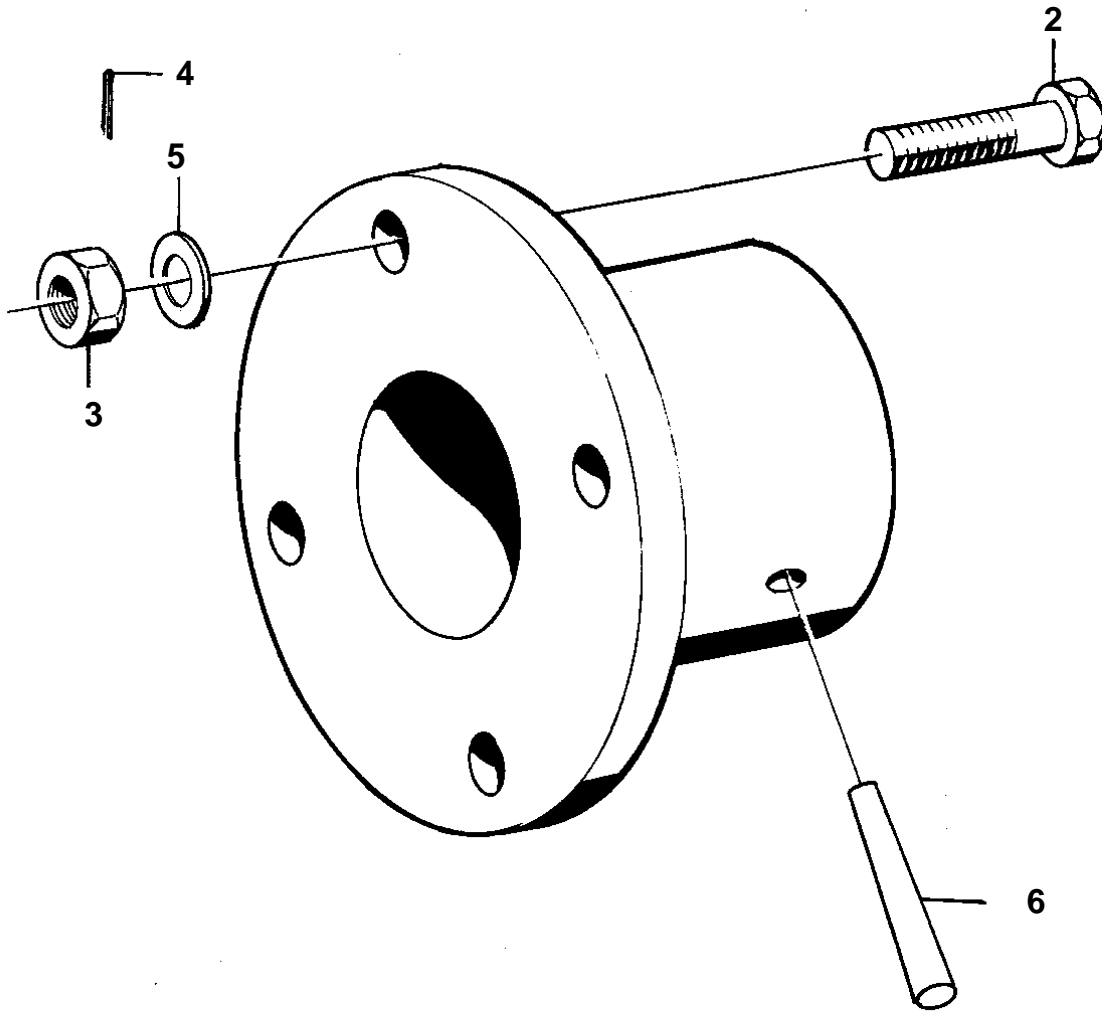


1



4624

KAMD42A

REF	PART NO.	QTY	DESCRIPTION	NOTES
1	819105	1	Clutch flange	D = 45 MM
2	955693	4	· Screw	L = 38 MM
	955691	4	· Screw	L = 25 MM
3	950375	4	· Nut	
5	941904	4	· Spring washer	
6	907617	1	· Pin	