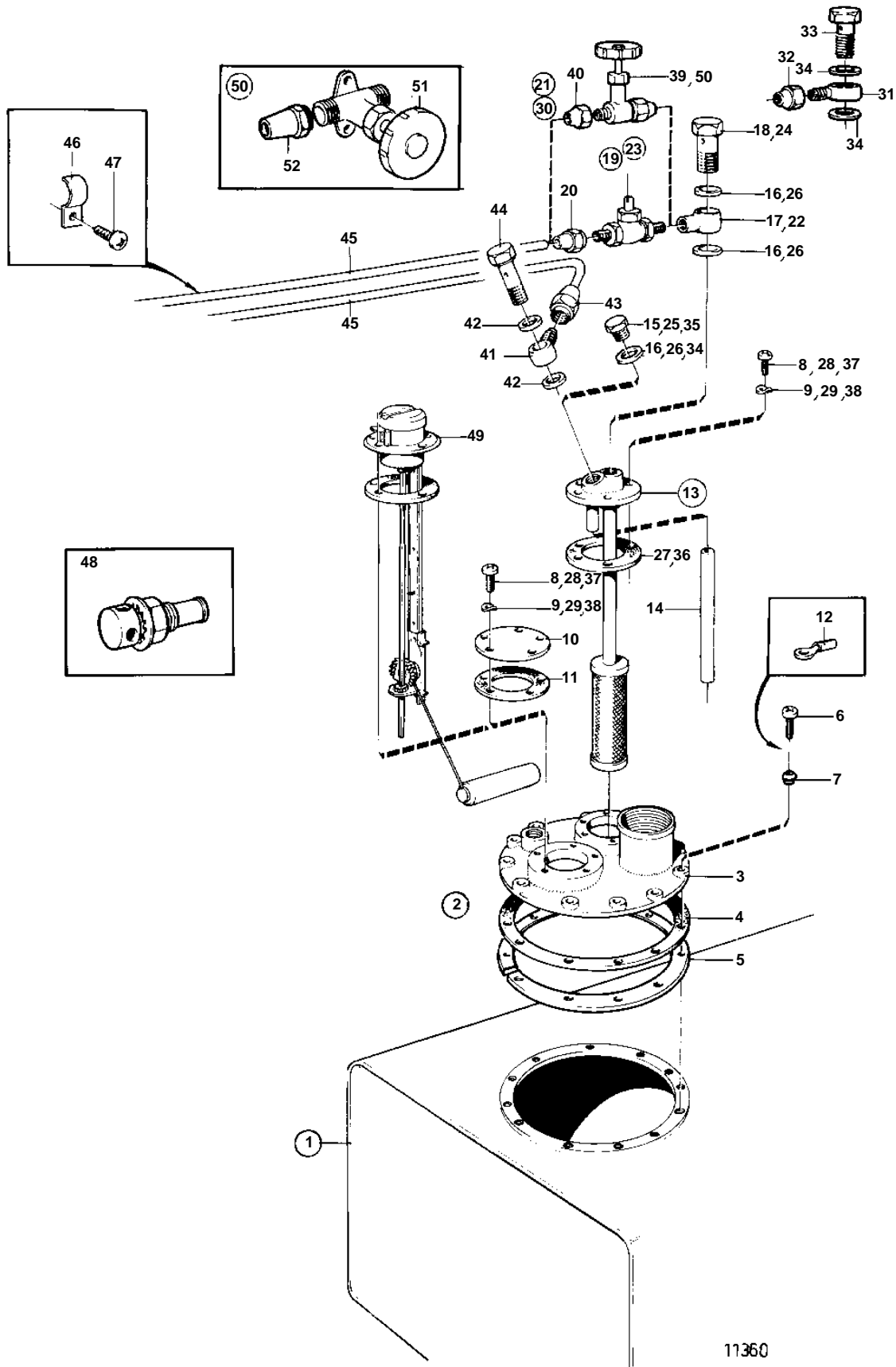


COMMON



11360

**COMMON**

REF	PART NO.	QTY	DESCRIPTION	SEE SEC.	NOTES
1	1140064	1	Fuel tank		40L
2	1140063	1	• Cover		
3	833799	1	• • Cover		
4	859064	1	• • Gasket		
5	828338	1	• • Flange		FOR EXTERNAL MANUFACTURED FUEL TANK
6	956080	12	• • Screw		
7	834481	12	• • Gasket		
8	956076	10	• • Screw		
9	941905	10	• • Spring washer		
10	833801	1	• • Cover		
11	89865	1	• • Gasket		
12	881493	1	• • Cable terminal		
13	828341	1	• Suction pipe		L = 242 MM
	828372	1	• Suction pipe		L = 333 MM
	828373	1	• Suction pipe		L = 458 MM
14	941279	1	• • Hose		
15	191830	1	• Plug		
16	957178	3	• Gasket		
17	833857	1	• Nipple		
18	25167	1	• Hollow screw		
19	803684	1	• Tap		
20	954322	1	• • Cap nut		
21	828375	1	Connector kit		5/16"
22	833857	1	• Nipple		
23	803684	1	• Tap		5/16"
24	25167	1	• Hollow screw		
25	191830	1	• Plug		
26	957178	3	• Gasket		
27	89865	1	• Gasket		
28	956076	10	• Screw		
29	941905	10	• Spring washer		
30	828376	1	Connector kit		3/8"
31	191600	1	• Banjo nipple		
32	954323	1	• Cap nut		
33	25167	1	• Hollow screw		
34	957178	3	• Gasket		
35	191830	1	• Plug		
36	89865	1	• Gasket		
37	956076	10	• Screw		
38	941905	10	• Spring washer		
39	841523	1	• Tap		3/8"
40	954323	2	• Cap nut		
41	807060	1	Banjo nipple		5/16"
42	957178	2	Gasket		
43	807061	1	Nut		
44	25167	1	Hollow screw		
45	954305	X	Copper tube		5/16"
	954307	X	Copper tube		3/8"
	1140062	X	Copper tube		3/8" L=25,00M
46	951189	X	Clamp		
47	955139	X	Screw		
48	1144037	1	Tank valve		
49		1	TANK METER	090-3500	
50	838418	1	Fuel valve		3/8"
51	841523	1	• Tap		
52	954323	2	• Cap nut		