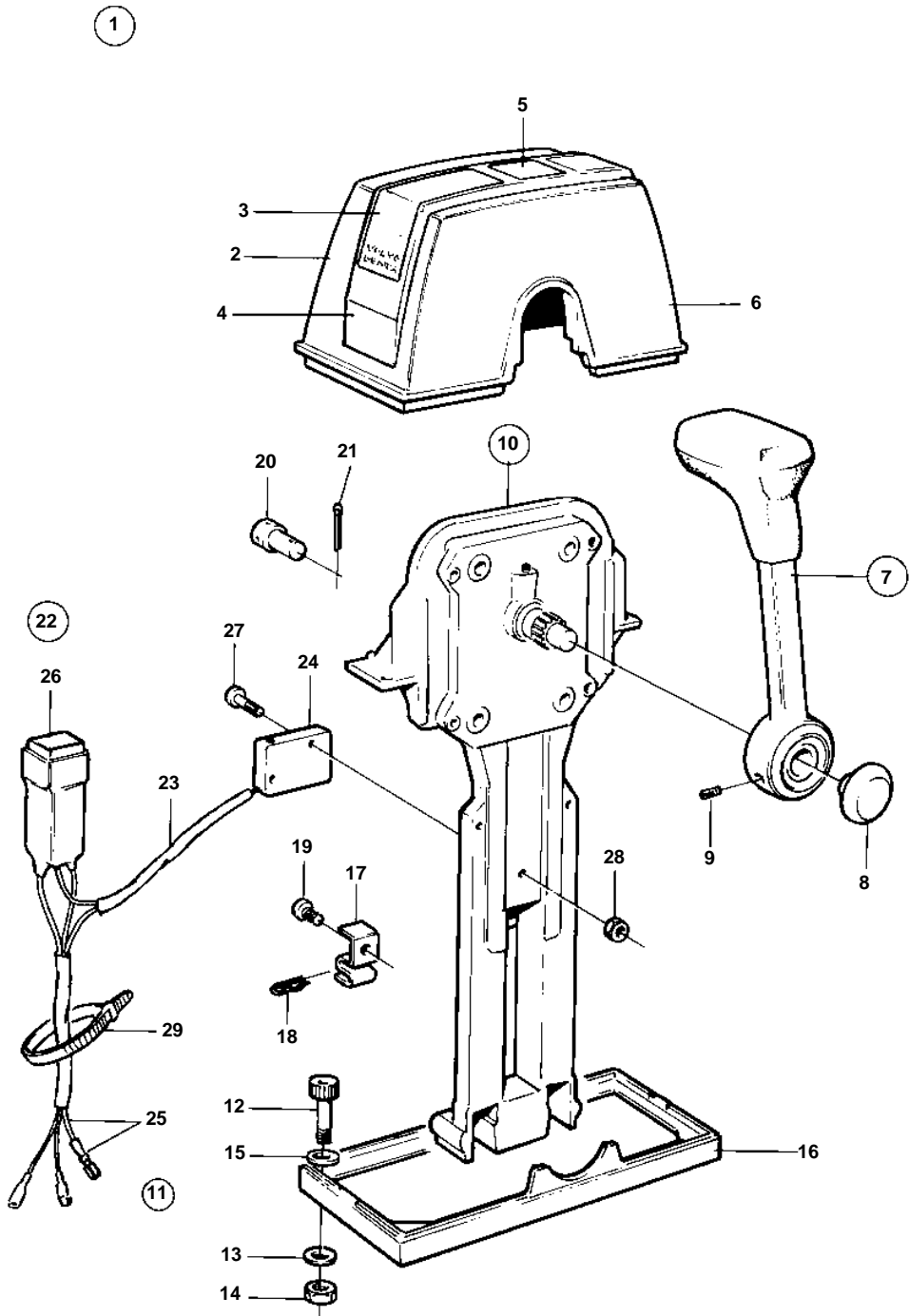


COMMON



8949

COMMON

| REF | PART NO. | QTY | DESCRIPTION | SEE SEC. | NOTES |
|-----|----------|-----|--------------------------|----------|-------------|
| 1 | 853168 | 1 | Mounting kit | | SINGLE |
| 2 | | 1 | · COVER | IK | |
| 3 | 851896 | 2 | · · Decal | IK | |
| 4 | 851892 | 1 | · · Cover plate | IK | |
| 5 | | 1 | · · LABEL | IK | |
| 6 | | 1 | · · COVER | | |
| 7 | 852347 | 1 | · Lever | IK | 090-2650 |
| 8 | 853004 | 1 | · Push button | IK | |
| 9 | 963678 | 1 | · · Screw | IK | |
| 10 | 851600 | 1 | · Control | IK | 090-2620 |
| 11 | | 1 | · MOUNTING KIT | | |
| 12 | 947671 | 4 | · · Allen head screw | IK | |
| 13 | 960138 | 4 | · · Washer | IK | |
| 14 | 955780 | 4 | · · Nut | IK | |
| 15 | 940090 | 4 | · · Washer | | |
| 16 | 839474 | 1 | · Plate | IK | |
| 17 | 853423 | 1 | · Retainer | IK | |
| 18 | 852924 | 1 | · Clip | IK | |
| 19 | 839664 | 1 | Screw | | |
| 20 | 839638 | 1 | Cube | IK | |
| 21 | 17253 | 1 | Cotter pin | IK | |
| 22 | 855352 | 1 | Neutral posit contac | | |
| 23 | 839619 | 1 | · Cable kit | | |
| 24 | 850200 | 1 | · · Switch | | |
| 25 | | X | · · CABLES AND TERMINALS | | SEE GROUP 3 |
| 26 | 876037 | 1 | · Relay kit | | (1501832) |
| 27 | 946177 | 2 | · Screw | | |
| 28 | 947536 | 2 | · Nut | | |
| 29 | 948210 | X | · Strip clamp | | |