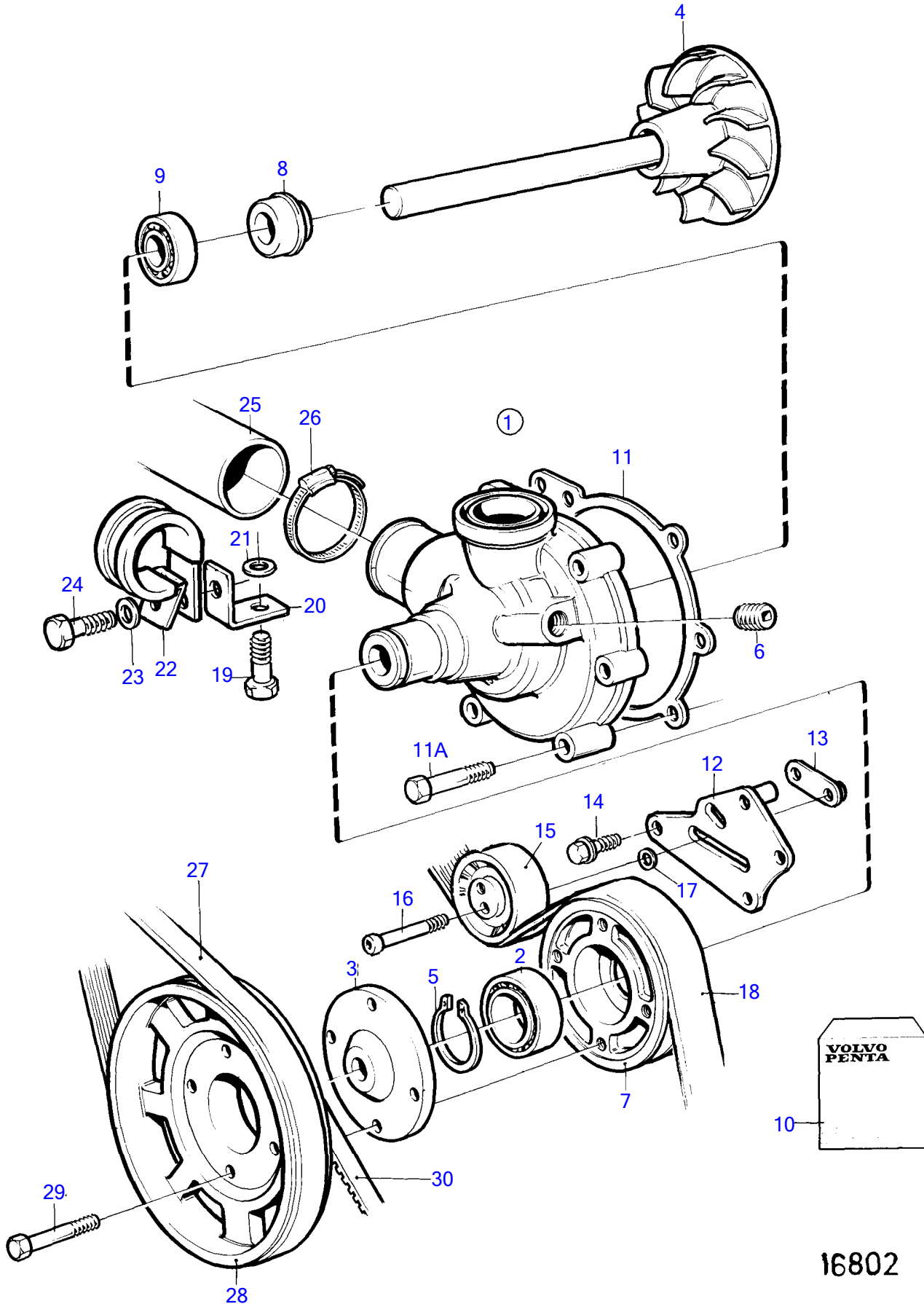


KAD42P-A, KAMD42P-A



16802

## KAD42P-A, KAMD42P-A

REF	PART NO.	QTY	DESCRIPTION	SEE SEC.	NOTES
1	3580784	1	Water pump		
2	181538	1	• Ball bearing		Included in overhaul kit.
3	860455	1	• Hub		
4		1	• Shaft, with blade wheel		Included in overhaul kit.
5	914462	1	• Snap ring		Included in overhaul kit.
6	479977	1	• Plug		
7	861541	1	• Pulley		For multi-V-belt.
8	1676432	1	• Sealing ring		Included in overhaul kit.
9	1660609	1	• Ball bearing		Included in overhaul kit.
10	876794	1	Repair kit	1968	
11	859027	1	Gasket		Included in overhaul kit.
11A	947760	6	Flange screw		
12	861560	1	Bracket		
13	861652	1	Lock washer		
14	946441	1	Flange screw		
15	861563	1	Tension pulley		
16	959245	1	Hex. socket screw		
17	960144	1	Washer		
18	861564	1	Drive belt		
19		1	Screw		See group 22
20	846780	1	Bracket		
21	955894	1	Washer		
22	952635	1	Clamp		
23	955893	1	Washer		
24	968855	1	Flange screw		
25	861112	1	Hose		Heat exchanger-expansion tank-water pump., For earlier version of expansion tank.
	3581099	1	Hose		Heat exchanger-expansion tank-water pump., For later version of expansion tank.
26	943478	1	Hose clamp		
27	860388	1	Drive belt		
28	860454	1	Pulley		
29	947760	4	Flange screw		
30	977542	1	V-belt		