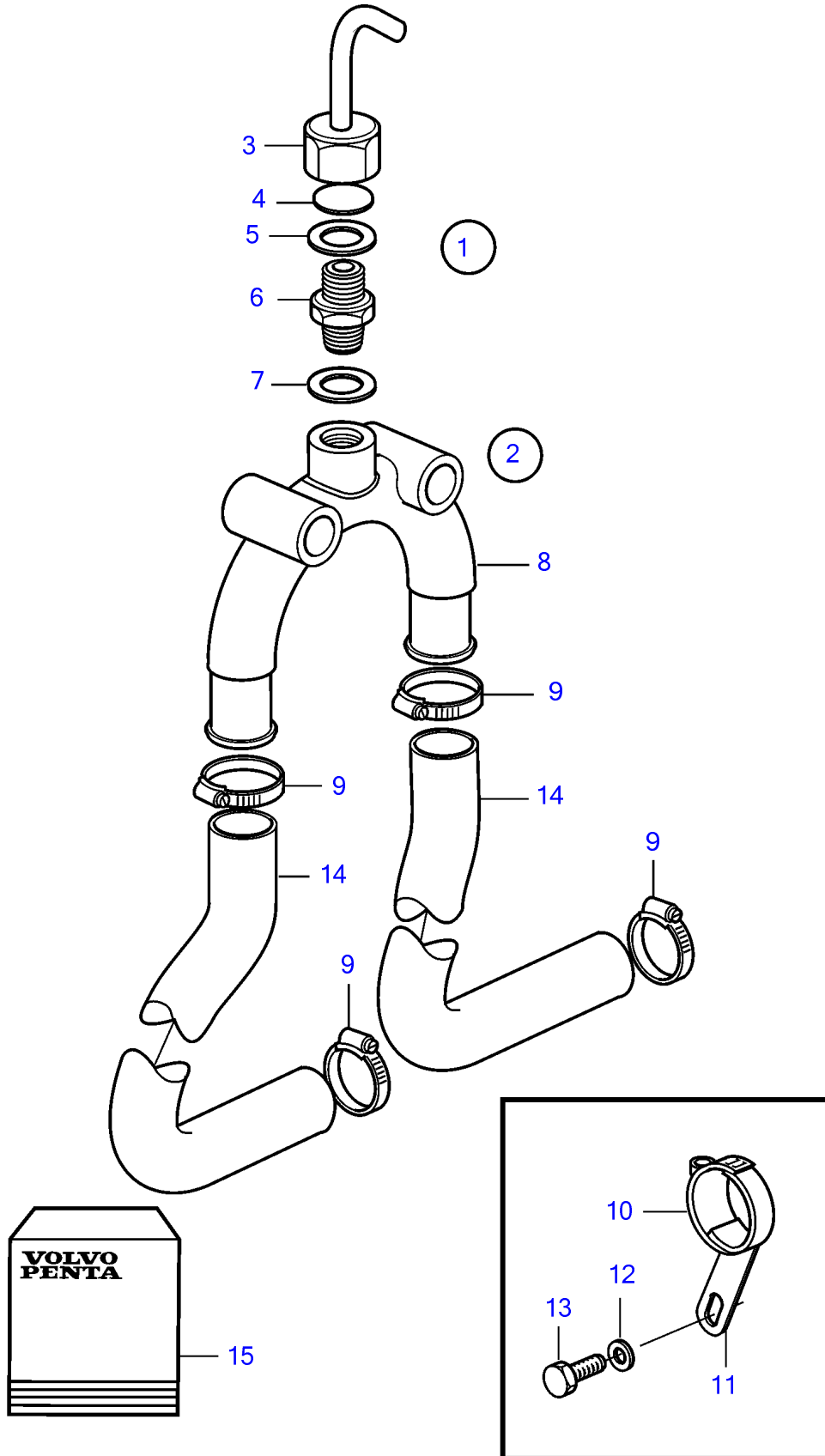


KAD42P-A, KAMD42P-A



KAD42P-A, KAMD42P-A

REF	PART NO.	QTY	DESCRIPTION	NOTES
1	858588	1	Vacuum valve kit	Repl by 3581591
2	828534	1	• Vacuum valve	
3	828533	1	• • Upper section	
4		2	• • Diaphragm	Included in overhaul kit., Only 1 ea as spare part
5	828424	2	• • Gasket	Included in overhaul kit., Only 1 ea as spare part
6	828266	1	• • Lower section	
7	947282	2	• • Gasket	Included in overhaul kit., Only 1 ea as spare part
8	828501	1	• Branch pipe	
9	853548	4	• Hose clamp	
10	943473	1	• Hose clamp	
11	843747	1	• Anchorage	
12	976944	1	• Washer	(960141)
13	940142	1	• Hexagon screw	
14	952972	X	Hose	
15	3818424	1	Repair kit	(875738)