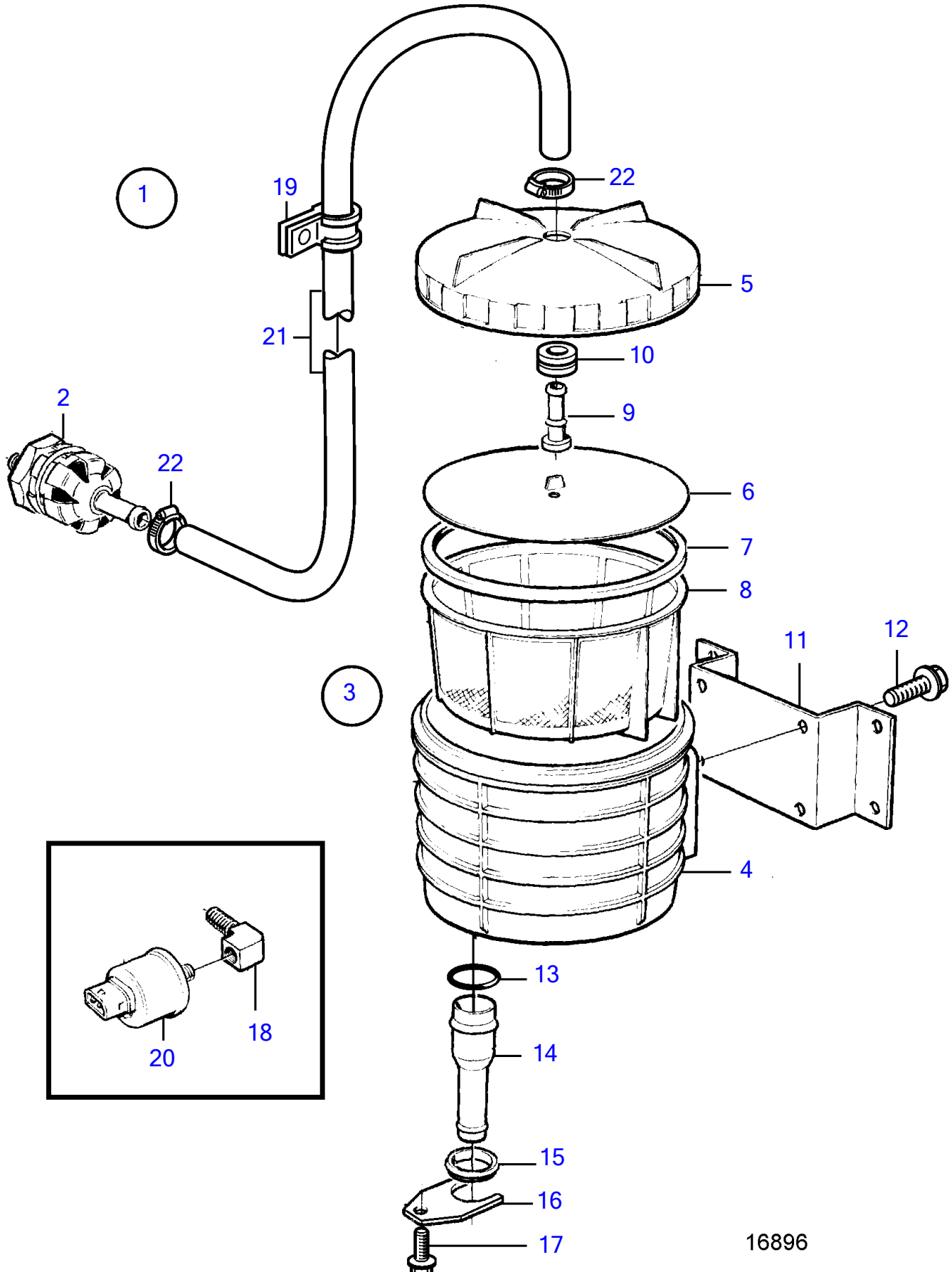


KAMD42P-A



16896

KAMD42P-A

REF	PART NO.	QTY	DESCRIPTION	SEE SEC.	NOTES
1	3581591	1	Filter		Replaced by 2129680
			• Bulletin 51-15(1)	51-15(1)-EN	The New Volvo Penta Siphon-Stopper, D31/41/42
1	(21219680)	1	Vacuum valve kit		Obsolete part
2	3581358	1	• Valve		
3	3581440	1	• Strainer		
4	845338	1	• • Strainer housing		
5	3581440	1	• • Strainer		
6	3581437	1	• • Pressure plate		
7	838977	1	• • Sealing		
8	858081	1	• • Strainer		
9	3581439	1	• • Hose nipple		
10	843109	1	• • Bushing		
11	845960	1	• Bracket		
12	940199	4	• Hexagon screw		
13	845354	2	• Sealing ring		
14	21147617	1	• Connection pipe		L=80mm, (847106)
	21147616	1	• Connection pipe		L=125mm, (838582)
15	847017	2	• Pipe retainer		
16	21212198	2	• Retainer		(847018)
17	940199	2	• Hexagon screw		
18	16218	1	• Elbow nipple		
19	952630	2	• Clamp		
20		1	Oil pressure sensor		See group 30
21	943367	X	Rubber hose		
22	961663	2	Hose clamp		