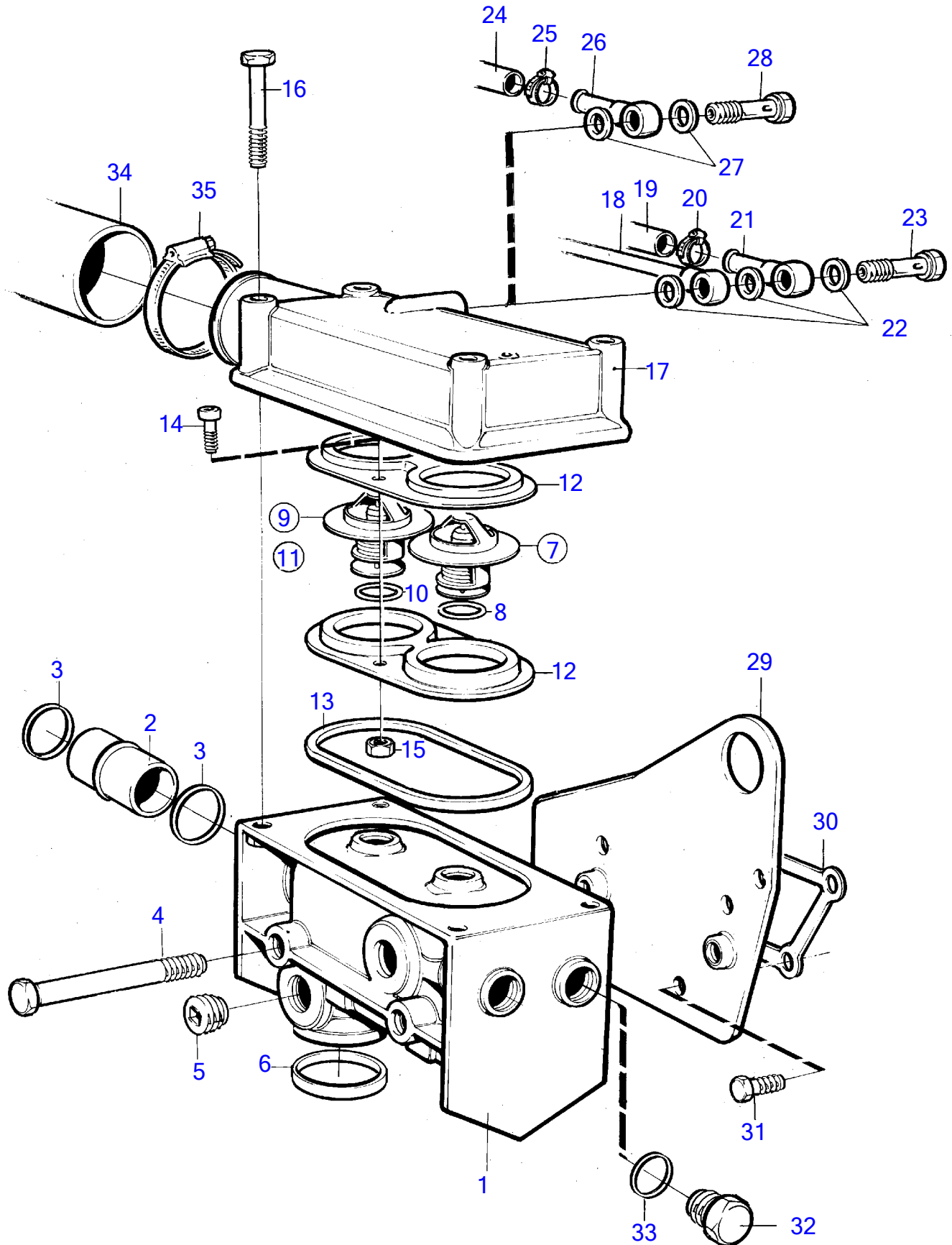


KAD42P-A, KAMD42P-A



## KAD42P-A, KAMD42P-A

REF	PART NO.	QTY	DESCRIPTION	NOTES
1	838704	1	Thermostat housing	
2	838739	1	Adapter	
3	968927	2	O-ring	
4	965183	2	Flange screw	
5	479977	2	Plug	
6	1542198	1	Sealing ring	
7	876128	1	Thermostat kit	81°C
8	416033	1	• Sealing ring	
9	875849	1	Thermostat kit	With air venting valve., 81°C
10	416033	1	• Sealing ring	
11	876145	1	Retainer kit	
12	859229	2	• Retainer	
13	838807	1	• Sealing ring	
14	963554	2	• Hexagon screw	
15	966170	2	• Lock nut	
16	965217	4	Flange screw	
17	860449	1	Cardboard tube	Obsolete part
18	860215	1	Air vent hose	Turbo-thermostat housing., For earlier version of expansion tank.
19	942700	X	Hose	Expansion tank-thermostat housing., For earlier version of expansion tank., L=600mm
20	945652	1	Hose clamp	
21	858750	1	Banjo nipple	
22	11994	3	Gasket	
23	947975	1	Hollow screw	
24	942700	1	Hose	Expansion tank-thermostat housing., For later version of expansion tank., L=580mm
25	945652	1	Hose clamp	
26	858750	1	Banjo nipple	
27	11994	2	Gasket	
28	969299	1	Hollow screw	
29	860518	1	Adapter	
30	1542187	1	Gasket	
31	955295	4	Hexagon screw	
32	960632	1	Plug	
33	957181	1	Gasket	
34	861109	1	Hose	Thermostat housing-heat exchanger.
35	943478	1	Hose clamp	