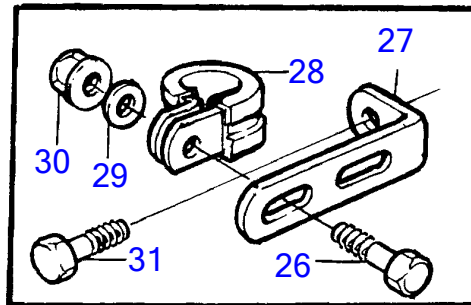
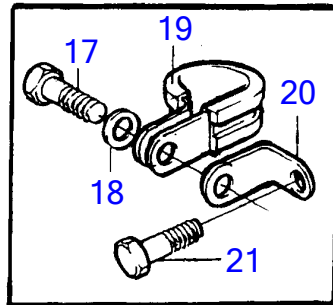
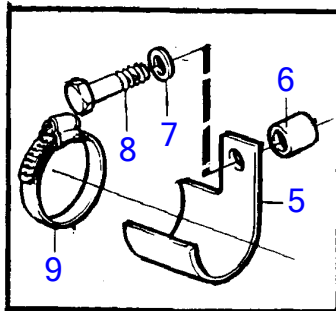
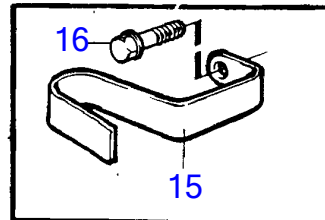
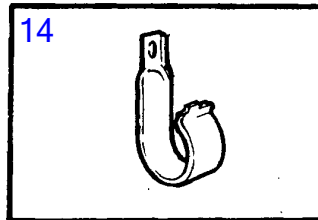
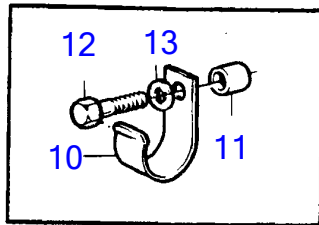
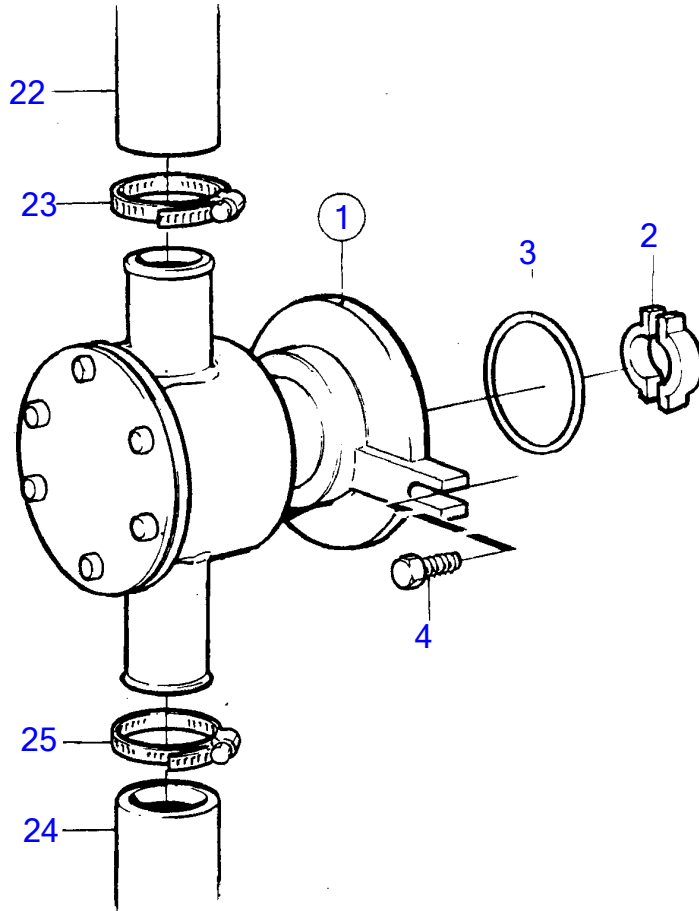


KAMD42P-A



## KAMD42P-A

REF	PART NO.	QTY	DESCRIPTION	SEE SEC.	NOTES
1	860629	1	Sea water pump		Repl by 3581558
			.		
			.	3399	
	3581558	1	Sea water pump		
			.		
			.	3400	
2	858467	1	Companion flange		
3	968971	1	O-ring		
4	946173	2	Flange screw		
5	3580758	1	Bracket		
6	843075	1	Spacer sleeve		
7	955894	1	Washer		
8	945444	1	Flange screw		
9	961669	1	Hose clamp		
10	857045	1	Clamp		
11	843075	1	Spacer sleeve, inlet		L=16mm
12	946671	1	Flange screw		L=30mm
13	955894	1	Washer		
14	834974	1	Clamp		
15	861387	1	Bracket		
16	947760	1	Flange screw		
17	968855	1	Flange screw		
18	955893	1	Washer		
19	952640	1	Clamp		
20	846780	1	Bracket		
21	965181	1	Flange screw		
22	860997	1	Hose		Sea water pump-oil cooler.
23	943476	1	Hose clamp		
24	861738	1	Hose		Reverse gear-sea water pump.
25	961669	2	Hose clamp		
26	946544	1	Flange screw		
27	965558	1	Bracket		
28	952640	1	Clamp		
29	955893	1	Washer		
30	949278	1	Flange lock nut		
31	947760	1	Flange screw		