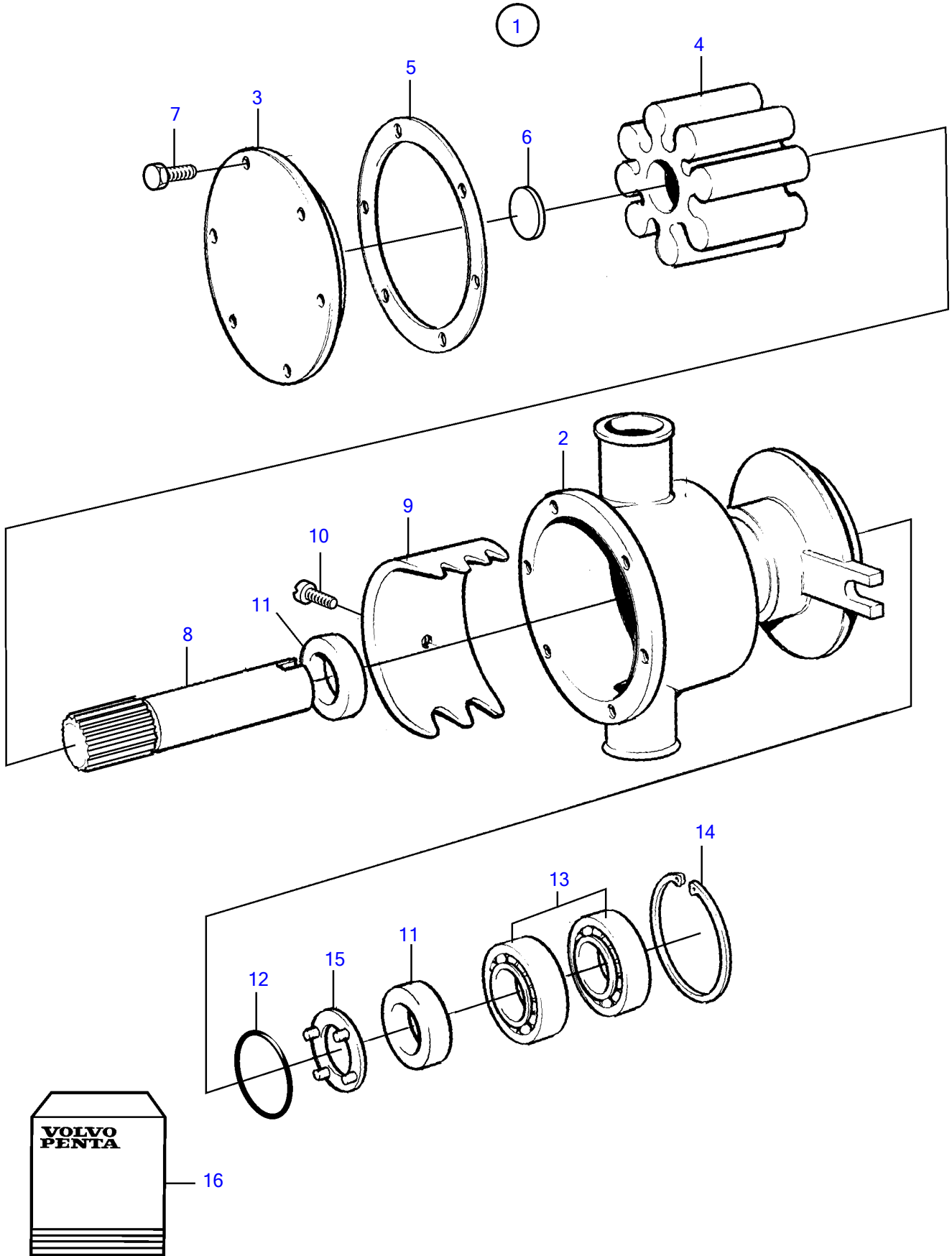


KAD42P-A, KAMD42P-A



KAD42P-A, KAMD42P-A

REF	PART NO.	QTY	DESCRIPTION	NOTES
1	860629	1	Sea water pump	
2		1	• Housing	
3	860751	1	• Cardboard tube	Included in overhaul kit.
4		1	• Impeller	Included in impeller kit.
5	808275	1	• Gasket	Included in impeller kit.
6	827019	1	• Washer	Included in impeller kit.
7	841693	6	• Screw	Included in overhaul kit.
8		1	• Shaft	Included in overhaul kit.
9	827011	1	• Cam	Included in overhaul kit.
10	808285	1	• Screw	Included in overhaul kit.
11	827247	2	• Sealing ring	Included in overhaul kit.
12	960166	1	• O-ring	Included in overhaul kit.
13	11010	2	• Ball bearing	Included in overhaul kit.
14	914523	1	• Snap ring	Included in overhaul kit.
15	844580	1	• Support washer	
16	877373	1	Repair kit	See group 99
	3841697	1	Impeller kit	See group 99