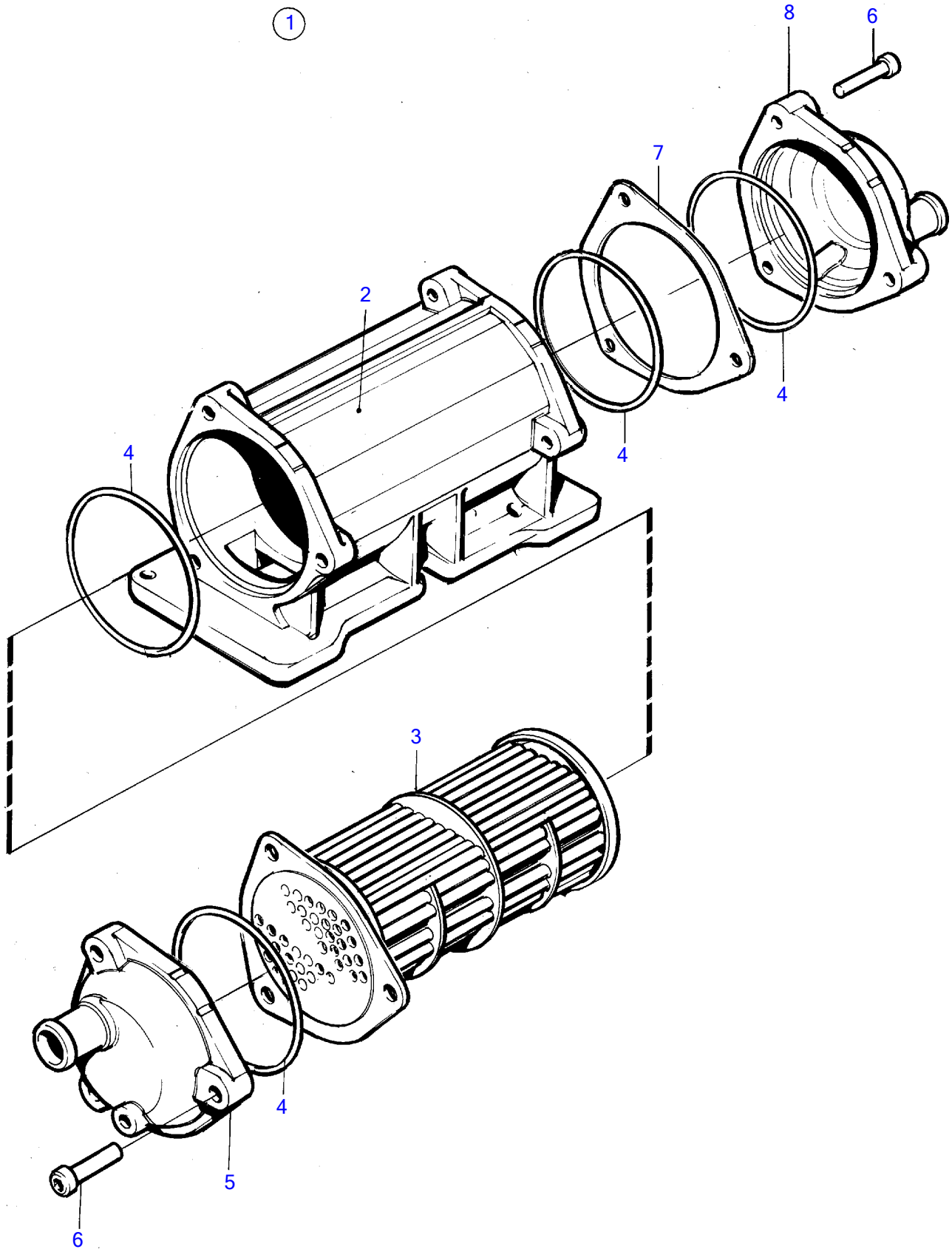


KAD42P-A, KAMD42P-A



KAD42P-A, KAMD42P-A

REF	PART NO.	QTY	DESCRIPTION
1	861601	1	Oil cooler
2		1	• Housing
3	3580869	1	• Insert
4	3581070	4	• O-ring
5	3580867	1	• End plate
6	959224	6	• Hex. socket screw
7	3580870	1	• Washer
8	3580866	1	• End plate